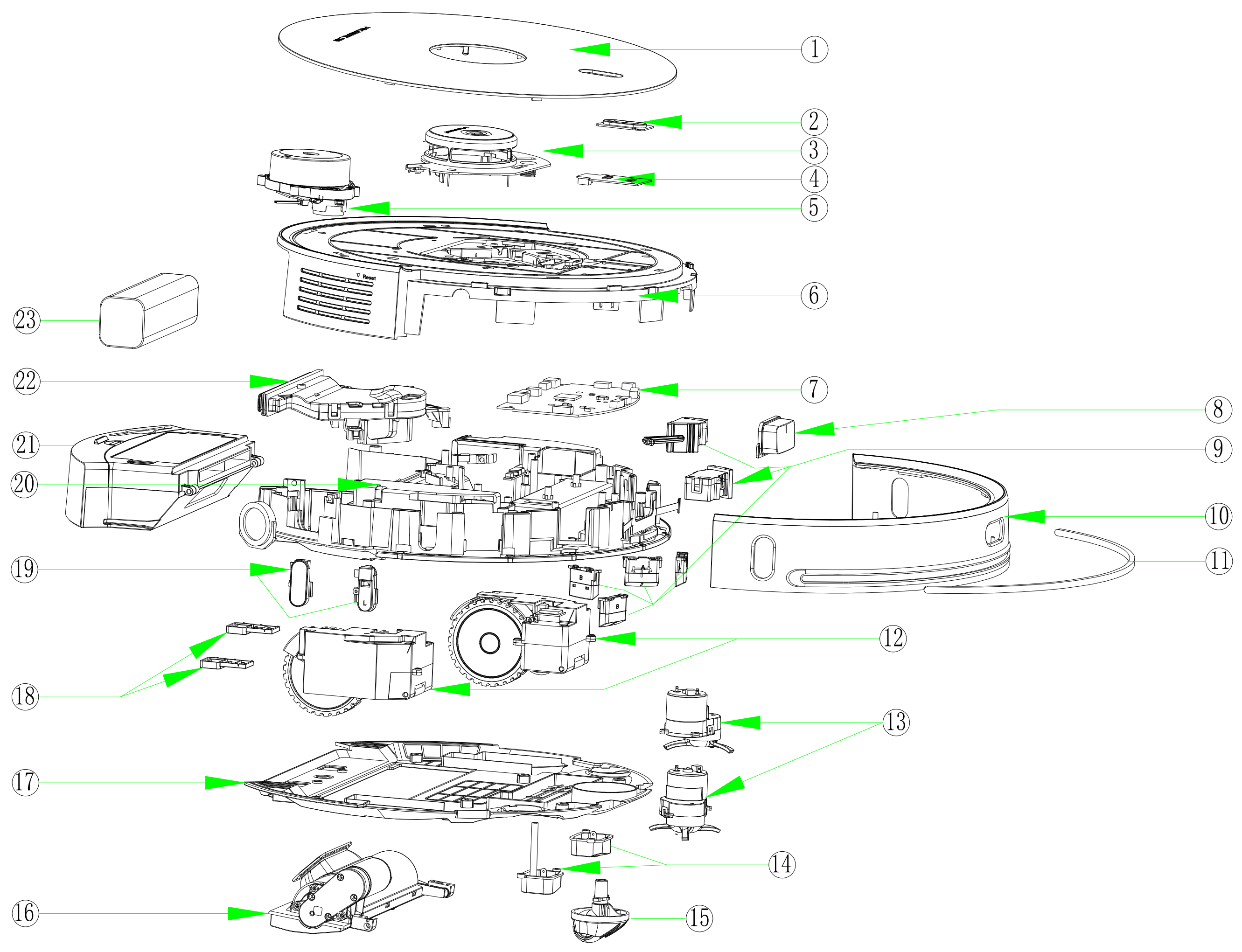


Revision	Description	Revised	Date
1	FRIST RELEASE	GUD	15/3/2021



Item	Description	Part No.
1	TOP PANEL	123.0001.x
2	BUTTON COVER	123.0029.x
3	ASSY LDS COVER	S.123.0003.0
4	BUTTON PCBA	S.123.0030.0
5	ASSY LDS	S.123.0002.0
6	ASSY UPPER BODY	S.123.0031.x
7	ASSY MAIN PCB	S.123.0032.0
8	ASSY FRONT SENSOR	S.123.0033.0
9	ASSY COLLISION SENSOR	S.123.0034.0
10	ASSY BUMPER	S.123.0006.x
11	BUMPER STRIP	123.0035.x
12	ASSY DRIVE WHEEL(LEFT) ASSY DRIVE WHEEL RIGHT	S.123.0008.x S.123.0009.x
13	ASSY SIDE BRUSH MOTOR(LEFT) ASSY SIDE BRUSH MOTOR(RIGHT)	S.123.0010.0 S.123.0011.0
14	ASSY CHARGER TERMINAL	S.123.0037.0
15	ASSY FRONT CASTOR	S.123.0017.0
16	ASSY MAIN BRUSH	S.123.0014.0
17	BOTTOM COVER	123.0038.x
18	ASSY DIRT COLLECTION TERMINAL	S.123.0039.0
19	ASSY TOF SENSOR	S.123.0040.0
20	ASSY LOWER BODY	S.123.0041.x
21	ASSY DUST BOX	S.123.0004.x
22	ASSY SUCTION FAN	S.123.0007.0
23	BATTERY(5200mAH, 14.4V)	123.0013.0
24	ASSY CHARGING BASE	S.123.0020.x
25	ASSY ADAPTER	S.123.0021.x

Machining And Delivery Notes	加工要求
1. Remove all sharp edges and burrs.去除所有锋利的边缘和毛刺。	
2. Remove all machining residues, product must be clear and degreased. 清除所有机械残渣, 产品必须清洁油污。	
3. Install insert/press in compnents as specified by the proudcder after finishing. 安装的镶件/埋入零件须按指定规格来完成。	
4. All external surface must be free of sink marks, injection marks, flow lines, welding lines and nicks.所有外部表面必须没有缩水凹陷, 注塑痕迹, 流痕, 结合线	
5. Transport to SMT shall not cause and damage to the product or its specifications. 运输至SMT不应对产品或其规格造成损坏。	
6. Product must be ROHS and green compliant.产品必须符合ROHS和绿色要求。	

TOLERANCES AND DIMENSIONS (UNLESS OTHERWISE SPECIFIED)	
0.5-3mm	± 0.1mm
3-6mm	± 0.1mm
6-30mm	± 0.2mm
30-120mm	± 0.3mm
120-400mm	± 0.5mm
ANGLES	± 1.0 °
HOLE Ø	± 0.1mm

MATERIAL:				
COLOR:				
TREATMENT:				
APPROVED	CHECKED	DISIGNED	REV.	-
			UNIT	mm
			SCALE	1:5

SMT-FCT DONG GUAN
THE FRIENDLY FAMILY
东莞硕能塑胶模具有限公司
Dongguan Solid-CST Plastic Molding Co., Ltd
东莞市石碣镇新凤西路99号
No.99 XinFeng West Road ShiJie Town DongGuan City China

PART NAME	COBOTIC 1700
PART NO	
PROJECT	

PROJECTION A4 Page 1 / 1