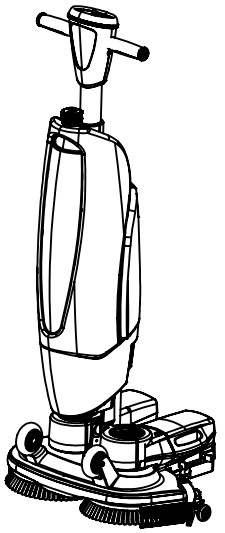
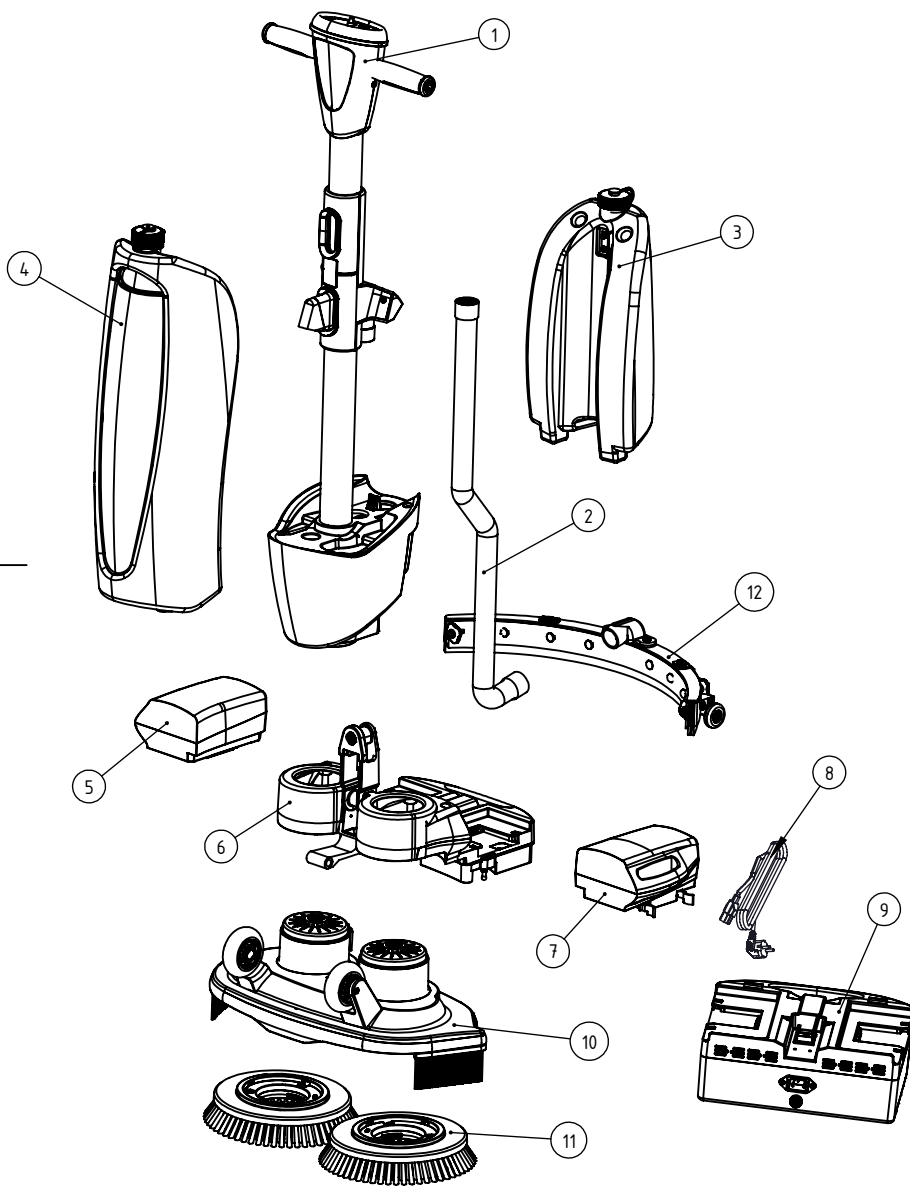


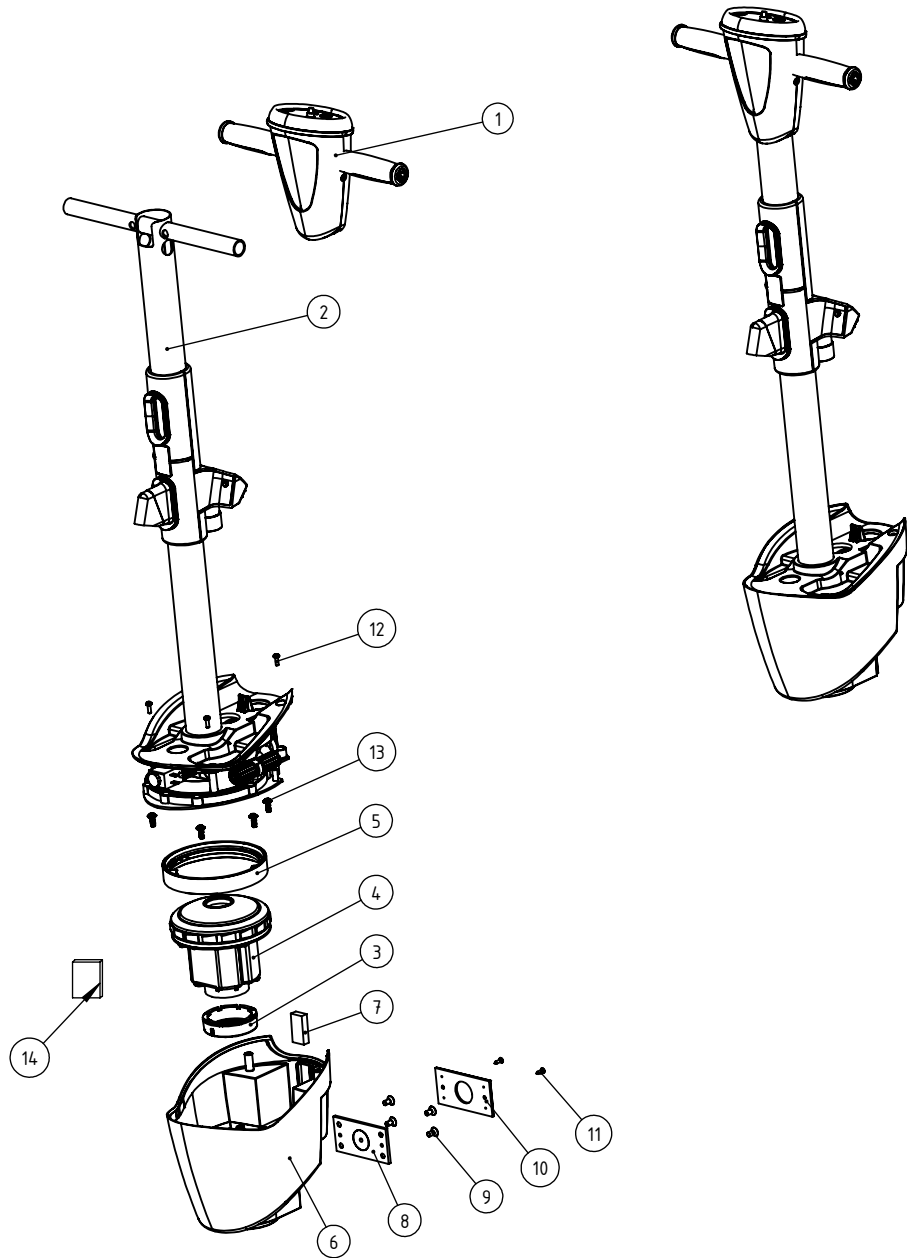
1	2		3		4		5		6	
Revision	Description		Revised	Date						
A	FIRST RELEASE		CONNIE	29/Dec/2021						
				PAGE		1 / 22				



Item	P/N	Description	Qty.
1	TU.IMOP.230.2/36	ASSY TOP UNIT IMOP, SILVER	1
2	S.72.1094.0	STRETCH HOSE COMPLETE	1
3	S.72.0081.1B	ASSY CLEAN COMPARTMENT COMPLETE WITH FILLING HOSE	1
4	S.72.0088.4F	WHITE DIRT COMPARTMENT CAP LINE WITH FILTER/ANTIMICROBIAL	1
5	S.72.0079.2BSRA	KIT ASSY BATTERY PACK GREY [RIGHT] BMS [FR][W/O FU	1
6	S.72.0065.21	ASSY MAIN LEVER UNIT IMOPXL MERCURY SWITCH	1
7	S.72.0074.2BSRA	ASSY BATTERY PACK BLUE [LEFT] BMS [FIRE RES][W/O F	1
8	72.0152.0	POWER CORD EUR 1.5 METER CB 3PIN	1
9	S.72.0299.B/1	IMOP BATTERY MCU CHARGER 3PIN	1
10	BU.IMOP.230.36	ASSY BRUSH UNIT IMOP 24V SILVER	1
11	S.72.0092.797/797Y	ASS BRUSH IMOP COMPLETE BLUE BRISTLE, BLUE LOCKER	2
12	S.72.0096.2	SQUEEGEE ASSEMBLY	1
13	72.0042.2099.00 NO SHOW	MANUAL IMOP [ENGLISH]	1
14	72.0042.2099.03 NO SHOW	MANUAL IMOP CHARGER [ENGLISH]	1
15	72.0142.11 NO SHOW	DAMP-PROOF BAG 30g	2

TOLERANCES UNSPECIFIED		REMARK:		<p style="text-align: center;"><b>SMT-FCT DONGGUAN</b> THE FRIENDLY FAMILY 东莞硕能塑胶模具有限公司 ASSEMBLY AND MOULDING OF CLEANING</p>			
LINE	ANGLE	-					
.xxx ±0.005	x ±2°	MATERIAL: -		APPROVED	CHECKED	DISGND	REV.
.xx ±0.05	.x ±1.5°					CONNIE	A
.x ±0.1	.xx ±1°						UNIT
. ±0.2	.xxx ±0.5°						mm
xx ±0.5							PART NAME
xxx ±1							IMOPXLN.FCT.2A EXPLODED VIEW
SHEET 1 OF 1		DATE				SCALE	
		29/Dec/202				PROJECT	
						SIZE	
						A4	

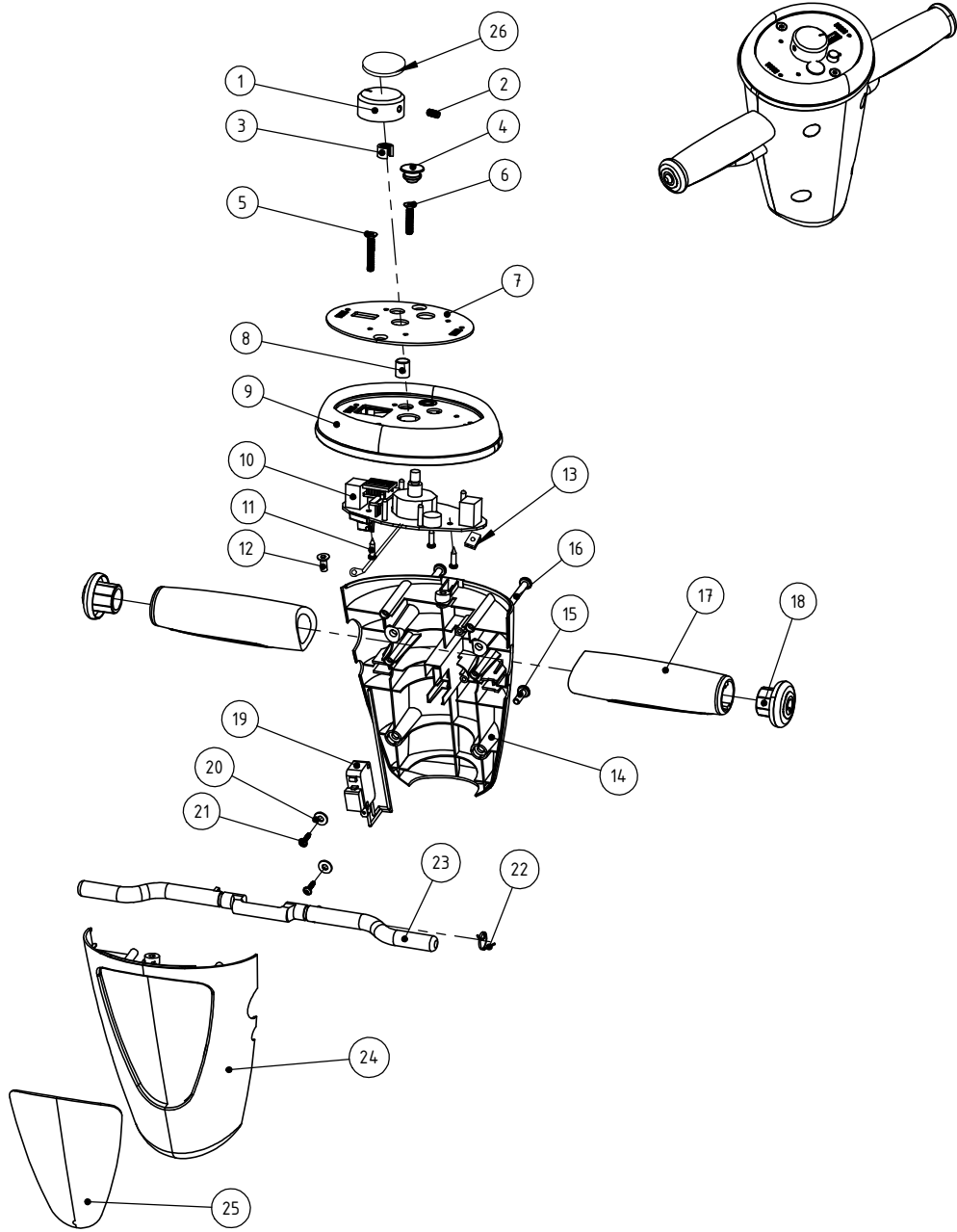
1	2		3		4		5		6	
Revision	Description		Revised	Date						
A	FIRST RELEASE		CONNIE	29/Dec/2021	PAGE 2 / 22					



Item	P/N	Description	Qty.
	TU.IMOP.230.2/36	ASSY TOP UNIT IMOP, SILVER	
1	S.72.0059.2/36	ASSY CONTROL UNIT, SILVER	1
2	S.72.0040.0	ASSY INLET TUBE [MCH 1416-1001-1024]	1
3	72.0034.0	VACUUM MOTOR SEALING BOTTOM [MCH 1416-1001-2047]	1
4	72.0035.0	DOMEL VACUUM CLEANER MOTOR [69.0007.0]	1
5	72.0112.0/A	VACUUM MOTOR SEALING SUPPORT [VER1]	1
6	72.0111.357	MOTOR UNIT COVER [MCH 1416-1001-2118], Kleur: Grey .357 P43	1
7	72.0051.0	MAGNET TOP UNIT 40X20X10MM [MCH 1416-1001-2044]	1
8	S.72.0031.2A	HINGE WELDING ASSY TOP UNIT [Ver2]	1
9	72.0033.1	COUNTER SUNK HEAD CAP SCREW M6X12 WITH NYLOK GLUE	4
10	72.0241.357	PLASTIC PLATE FOR HINGE WELDING ASSY, Kleur: Grey .357 (P43)	1
11	72.0240.0	COUNT SUNK SCREW M3.5X13 PHILPS HEAD	2
12	72.0121.1	SCREW M4X12, CROSS HEAD, STANDARD THREAD, SST	4
13	72.0026.0	SCREW WN 5451 50X14 EJOT DELTA PT	6
14	89.0467.2099.02	SERIAL NO. VACUUM MOTOR	1

TOLERANCES UNSPECIFIED		REMARK:		<p style="text-align: center;"><b>SMT-FCT DONGGUAN</b> THE FRIENDLY FAMILY 东莞硕能塑胶模具有限公司 ASSEMBLY AND MOULDING OF CLEANING</p>									
LINE	ANGLE	-											
.xxx	±0.005	x	±2°	MATERIAL: -		APPROVED	CHECKED	DISGNE	REV.	A	PART NAME	IMOPXLN.FCT.2A EXPLODED VIEW	SIZE
.xx	±0.05	.x	±1.5°					CONNIE	UNIT	mm	PART NO	IMOPXLN.FCT.2A	A4
.x	±0.1	.xx	±1°						SCALE		PROJECT		
.	±0.2	.xxx	±0.5°										
xx	±0.5												
xxx	±1												
SHEET OF		DATE		29/Dec/2021		SCALE		PROJECT		A4			

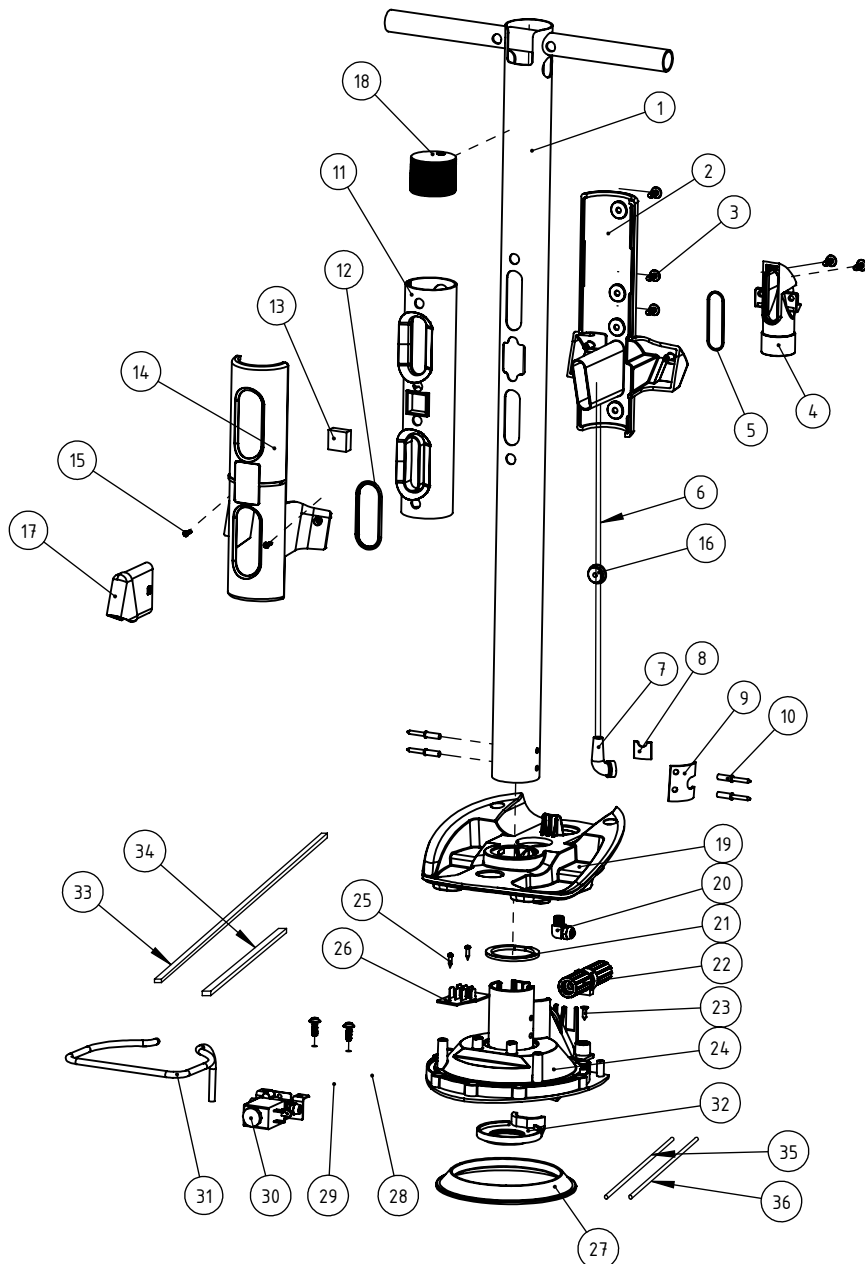
1		2		3		4		5		6	
Revision	Description			Revised	Date						
A	FIRST RELEASE			CONNIE	29/Dec/2021						
										PAGE	3 / 22



Item	P/N	Description	Qty.
	S.72.0059.2/36	ASSY CONTROL UNIT, SILVER	
1	72.0155.5/36	TURNING BUTTON, NODIC OXIDATION M:AL, BLUE P312C	1
2	00.0115.0	HEXAGON SOCKET SET SCREW M4 X 8	1
3	72.0272.0	FIXATION INSERT TURNING BUTTON	1
4	72.0225.0/A	RUBBER BLOCK WATER SAVE ADJUSTMENT HOLE [A]	1
5	72.0273.0	M4X20 COUNTERSUNK SCREW STAINLESS STEEL	1
6	72.0273.1	M4X25 COUNTERSUNK SCREW STAINLESS STEEL	1
7	89.0467.2099.00B	ASSY AL. STICKER IMOP PLATE	1
8	72.0203.0	WATER SAVE BUTTON	1
9	72.0061.2F	TOP HOUSING CONTROL UNIT COLOR: WHITE + TIMER THICKEN RUBBER RING	1
10	72.0417.0A	TOP PCB IMOP + 30 DEGREE SWITCH [A]	1
11	85.1008.1	SCREW M3 X12 CROSSHEAD SELF TAPPING BL-NI, SST	13
12	00.0002.7	SCREW 4 X 10	3
13	72.0263.0	SWITCH WIRE CLAMP, Kleur: Black	1
14	72.0059.2C	REAR HOUSING CONTROL UNIT Color: White [C]	1
15	72.0121.1	SCREW M4X12, CROSS HEAD, STANDARD THREAD, SST	2
16	72.0122.1	SCREW M4X35CROSS HEAD, STANDARD THREAD, SST	2
17	72.0230.357	HANDLE GRIP WITHOUT PROTRUSION, Kleur: Grey.357 (P431C)	2
18	72.0229.797	END CAP GRIP WITH LOGO, Kleur: Blue .797 (P312C)	2
19	S.72.0060.3	ASSY POWER SWITCH CONTROL UNIT	1
20	72.0271.0	PLASTIC WASHER 9x4x1mm	2
21	72.0057.0	SCREW WN 5451 25X10 EJOT DELTA PT [MCH 1416- 1001-2150]	2
22	72.0228.1	SPRING_SWITCH LEVER DIA.0.8MM (Ver.1)	1
23	72.0063.797	HANDLE CONTROL UNIT [MCH 1416-1001-2065], Kleur: Blue .797	1
24	72.0064.2C	FRONT HOUSING CONTROL UNIT Color: White [C]	1
25	S.89.0467.2099.01E	ASSY AL.PLATE STICKER E WITH CLIP + 3M TAPES [HANDLE]	1
26	89.0469.2099.24	REMOVE STICKER ON THE SWITCH	1

TOLERANCES UNSPECIFIED		REMARK:		<p style="text-align: center;"><b>SMT-FCT DONGGUAN</b> THE FRIENDLY FAMILY <b>东莞硕能塑胶模具有限公司</b> ASSEMBLY AND MOULDING OF CLEANING</p>			
LINE	ANGLE	-					
.xxx ±0.005	x ±2°	MATERIAL: -		APPROVED	CHECKED	DISGNED	REV.
.xx ±0.05	.x ±1.5°					CONNIE	UNIT
.x ±0.1	.xx ±1°						mm
. ±0.2	.xxx ±0.5°						PROJECT
xx ±0.5							SCALE
xxx ±1							
SHEET 1 OF 1		DATE		29/Dec/2021		A4	

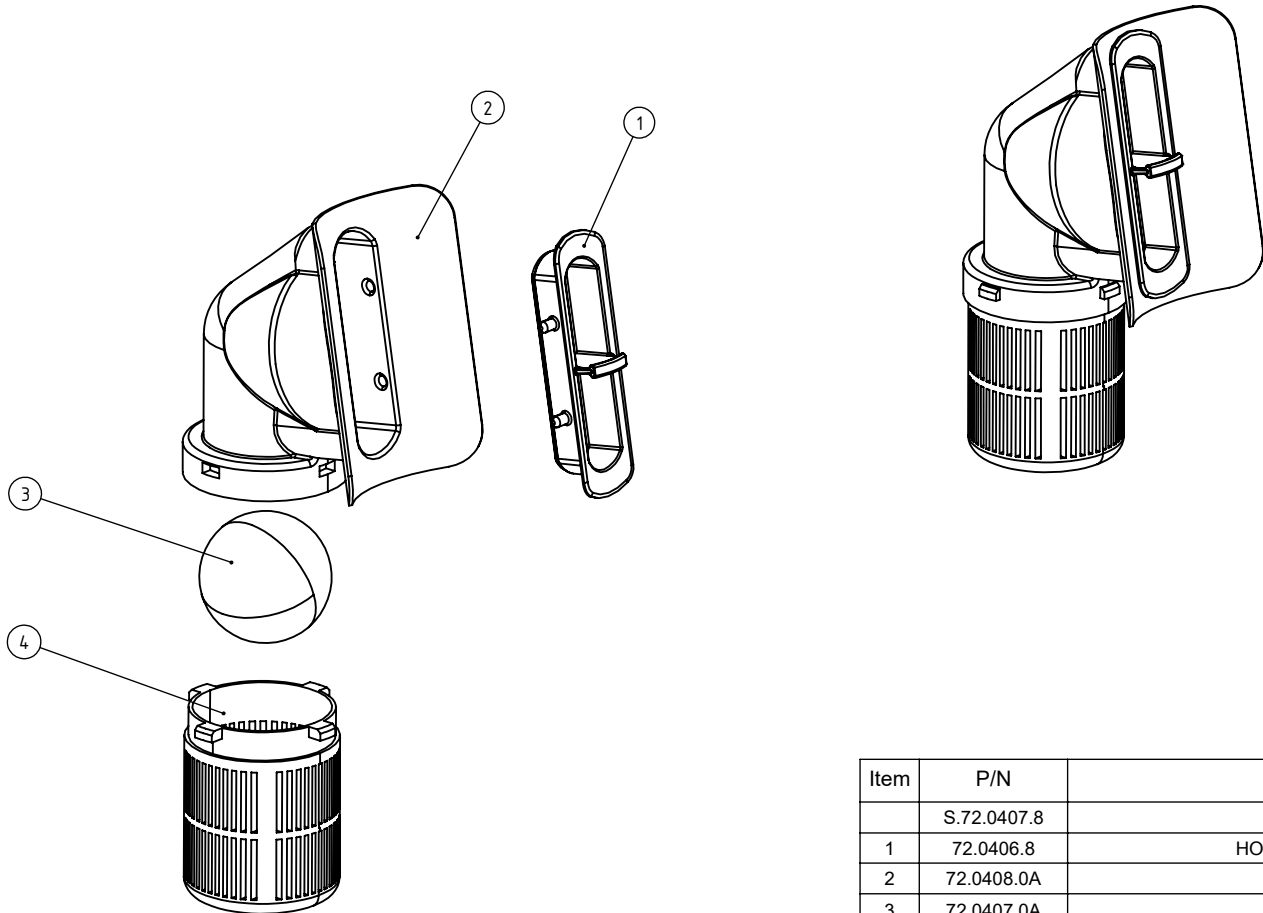
1		2		3		4		5		6	
Revision	Description			Revised	Date						
A	FIRST RELEASE			CONNIE	29/Dec/2021	PAGE 4 / 22					



Item	P/N	Description	Qty.
	S.72.0040.0	ASSY INLET TUBE [MCH 1416-1001-1024]	
1	S.72.0041.0A	ASSY INLET TUBE WELDING - 1 PIECE	1
2	72.0055.357	TANK HOLDER REAR [MCH 1416-1001-2197], Kleur: Grey .357	1
3	72.0026.0	SCREW WN 5451 50X14 EJOT DELTA PT	6
4	72.0056.357A	STRETCH HOSE CONNECTOR [MCH 1416-1001-2199], Kleur Grey	1
5	72.0296.0	GASKET FOR HOSE CONNECTOR	1
6	S.72.0039.0/D	ASSY UTP CABLE (PVC+FIBRE) RJ45	1
7	72.0042.0	POWER CABLE GUIDING RUBBER [MCH 1416-1001-2187]	1
8	72.0268.0	SEALING RUBBER SHEET AL TUBE	1
9	72.0267.0	SEALING PRESSUR PLATE	1
10	72.0119.0	RIVET WITH DIA. 5MM & LENGTH 10 MM	4
11	72.0052.0	DIRT COMPARTMENT SEAL [MCH 1416-1001-2081]	1
12	72.0160.0	O RING WIRE DIA.3MM, OD46MM	1
13	72.0053.0	MAGNET TOP UNIT SMALL 20X20X10MM [MCH 1416-1001-2172]	1
14	72.0054.357	TANK HOLDER FRONT [MCH 1416-1001-2196], Kleur: Grey .357	1
15	72.0057.0	SCREW WN 5451 25X10 EJOT DELTA PT [MCH 1416-1001-2150]	2
16	72.0246.0	SEALING RING SIGAR UTP CONNECTOR	1
17	72.0163.1/996	TRANSPARENT PLASTIC DEFLECTOR DIRTY TANK	1
18	72.0038.0A	END CAP INLET TUBE [MCH 1416-1001-2152]	1
19	S.72.0113.357C	ASSY MOTOR UNIT TOP WITH CHROMING COUPLING	1
20	72.0049.1	ANGLE METAL CONNECTOR	1
21	72.0044.0	MOTOR UNIT FRAME RUBBER [MCH 1416-1001-2189]	1
22	S.72.0243.0	ASSEMBLY SIGAR UTP CONNECTOR	1
23	72.0240.0	COUNT SUNK SCREW M3.5X13 PHILPS HEAD	1
24	72.0114.357	MOTOR UNIT FRAME [MCH 1416-1001-2122], Kleur: Grey .357	1
25	85.1008.1	SCREW M3 X12 CROSSHEAD SELFTAPPING BL-NI, SST	1
26	72.0182.0/A	PCB MAGNETIC VALVE & VAC MOTOR CONNECTION [A]	1
27	72.0045.0/A	VACUUM MOTOR SEALING TOP SHARE HARDNESS 45	1
28	72.0206.1	SCREW WN 5451 50X14 EJOT DELTA PT	2
29	72.0050.1A	MAGNETIC VENTIL FIXATION PLATE STAINLESS STEEL	1
30	S.72.0026.6	ASSY MAGETIC VALVE PARKER	1
31	72.0022.2	WATER CHANNEL DIA.6MM L:225mm	1
32	72.0352.0	CENTER SEALING GASKET TOP VACUUM MOTOR	1
33	72.0209.0B	SEALING GASKET EVA 3X1.5X593MM	1
34	72.0210.0B	SEALING GASKET EVA 4X2.5X150MM	1
35	72.0127.0	187 TERMINAL + WIRE 14AWG, RED, L=280mm, 250 TERMINAL	1
36	72.0128.0	187 TERMINAL + WIRE 14AWG, BLACK, L=280mm, 250 TERMINAL	1
37	00.0117.0 NO SHOW	GULE ND401	1
38	72.0232.0 NO SHOW	THREAD SEALING ADHESIVE	0.02

TOLERANCES UNSPECIFIED		REMARK:		<p style="text-align: center;"><b>SMT-FCT DONGGUAN</b> THE FRIENDLY FAMILY 东莞硕能塑胶模具有限公司 ASSEMBLY AND MOULDING OF CLEANING</p>			
LINE	ANGLE	-					
.xxx ±0.005	x ±2°	MATERIAL: -		APPROVED	CHECKED	DISGNE	REV.
.xx ±0.05	.x ±1.5°					CONNIE	A
.x ±0.1	.xx ±1°						UNIT
. ±0.2	.xxx ±0.5°						mm
xx ±0.5							PROJECT
xxx ±1							SCALE
SHEET OF		DATE		29/Dec/2021		A4	

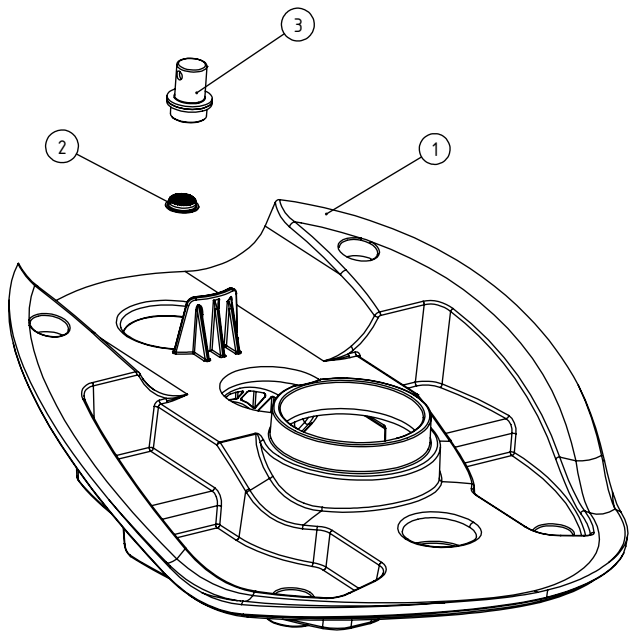
1		2		3		4		5		6	
Revision	Description			Revised	Date						
A	FIRST RELEASE			CONNIE	30/Dec/2021						
										PAGE	5 / 22



Item	P/N	Description	Qty.
	S.72.0407.8	ASSY FLOAT BALL	
1	72.0406.8	HOUSING SUPPORT YELLOW P122C	1
2	72.0408.0A	FLOAT BALL HOUSING	1
3	72.0407.0A	FLOAT BALL 35MM	1
4	72.0405.8A	FLOAT BALL CAGE YELLOW P122C	

<b>TOLERANCES UNSPECIFIED</b>		REMARK: -		<b>SMT-FCT DONGGUAN</b> <b>THE FRIENDLY FAMILY</b> 东莞硕能塑胶模具有限公司 <b>ASSEMBLY AND MOULDING OF CLEANING</b>					
LINE	ANGLE	MATERIAL: -							
.xxx ±0.005	x ±2°	APPROVED	CHECKED	DISGND	REV.	A	PART NAME	IMOPXLN.FCT.2A EXPLODED VIEW	
.xx ±0.05	.x ±1.5°			CONNIE	UNIT	mm	PART NO	IMOPXLN.FCT.2A	
.x ±0.1	.xx ±1°				SCALE		PROJECT		SIZE
. ±0.2	.xxx ±0.5°								A4
xx ±0.5		SHEET OF	DATE			30/Dec/2021			
xxx ±1									

Revision	Description	Revised	Date					PAGE	6 / 22
A	FIRST RELEASE	Connie	29/Dec/2021						

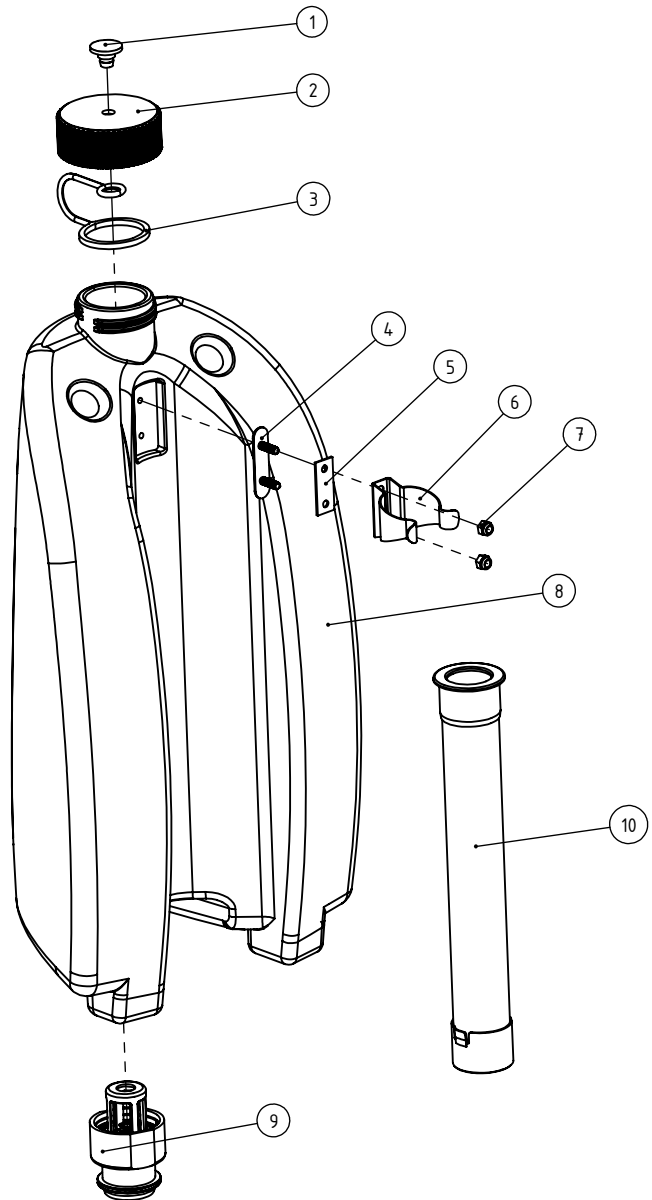


Item	P/N	Description	Qty.
	S.72.0113.357C	ASSY MOTOR UNIT TOP WITH CHROMING COUPLING	
1	72.0113.357A	MOTOR UNIT TOP	1
2	72.0413.0	METAL GREASE FILTER	1
3	72.0412.0B	WATER INLET COUPLING CHROMING+RUBBER WASHER	1

<b>TOLERANCES AND DIMENSIONS</b> (UNLESS OTHERWISE SPECIFIED)		MATERIAL:		 <b>东莞硕能塑胶模具有限公司</b> Dongguan Solid-CST Plastic Molding Co., Ltd 东莞市石碣镇新风西路99号 No.99 XinFeng West Road ShiJie Town DongGuan City China					
0.5-3mm	±0.1mm	COLOR:							
3-6mm	±0.1mm	TREATMENT:							
6-30mm	±0.2mm	APPROVED	CHECKED	DISGNE	REV.	-	PART NAME	IMOPXLN.FCT.2A EXPLODED VIEW	
30-120mm	±0.3mm			Connie	UNIT	mm	PART NO	IMOPXLN.FCT.2A	
120-400mm	±0.5mm			29/Dec/2021	SCALE	1:1	PROJECT		
ANGLES	±1.0°								
HOLE Ø	±0.1mm								

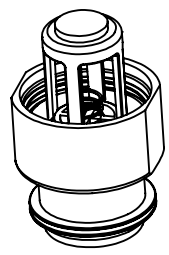
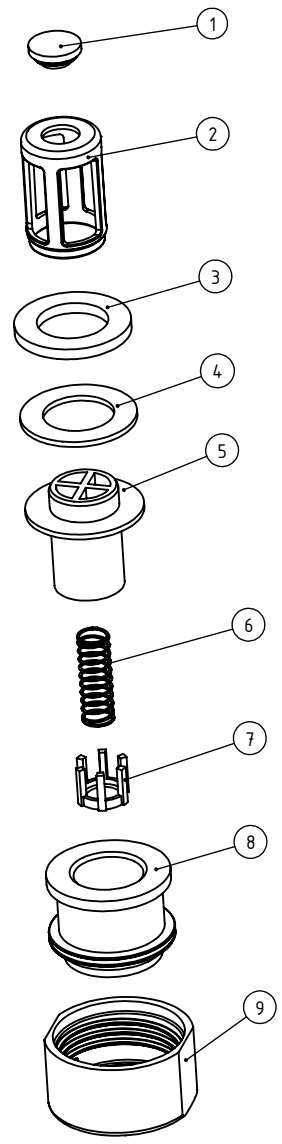
A  
B  
C  
D

A  
B  
C  
D



Item	P/N	Description	Qty.
	S.72.0081.1B	ASSY CLEAN COMPARTMENT COMPLETE WITH FILLING HOSE	
1	72.0254.1	SLEEVE CAP HOLDER CLEAN TANK	1
2	72.0251.797	CAP WITH HOLE, BLEUR: BLUE .797 (P312C)	1
3	72.0252.0	CAP HOLDER	1
4	72.0253.0	HOLDER PLATE CLIP CLEAN TANK	1
5	72.0290.0	RUBBER CUSHION FOR METAL CLIP	1
6	72.0288.0	METAL CLIP CLEAN TANK	1
7	72.0261.0	NUT M4 NYLON STAINLESS	2
8	72.0081.1	CLEAN COMPARTMENT, CAP VERSION	1
9	S.72.0085.0	WATER COUPLING VERSION 2	1
10	S.72.0250.0	ASS FILLING HOSE FOR IMOP 30CM	1

<b>TOLERANCES UNSPECIFIED</b>		REMARK: -		<b>SMT-FCT DONGGUAN</b> <b>THE FRIENDLY FAMILY</b> 东莞硕能塑胶模具有限公司 <b>ASSEMBLY AND MOULDING OF CLEANING</b>			
LINE	ANGLE	MATERIAL: -		APPROVED	CHECKED	DISGNE	REV.
.xxx ±0.005	x ±2°					CONNIE	UNIT
.xx ±0.05	.x ±1.5°						mm
.x ±0.1	.xx ±1°						PART NAME
. ±0.2	.xxx ±0.5°						IMOPXLN.FCT.2A EXPLODED VIEW
xx ±0.5							PART NO
xxx ±1							IMOPXLN.FCT.2A
SHEET OF		DATE				30/Dec/2021	SCALE
							PROJECT
							SIZE
							A4

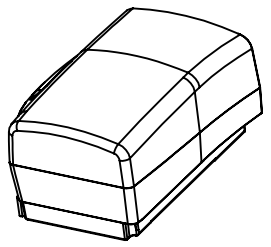
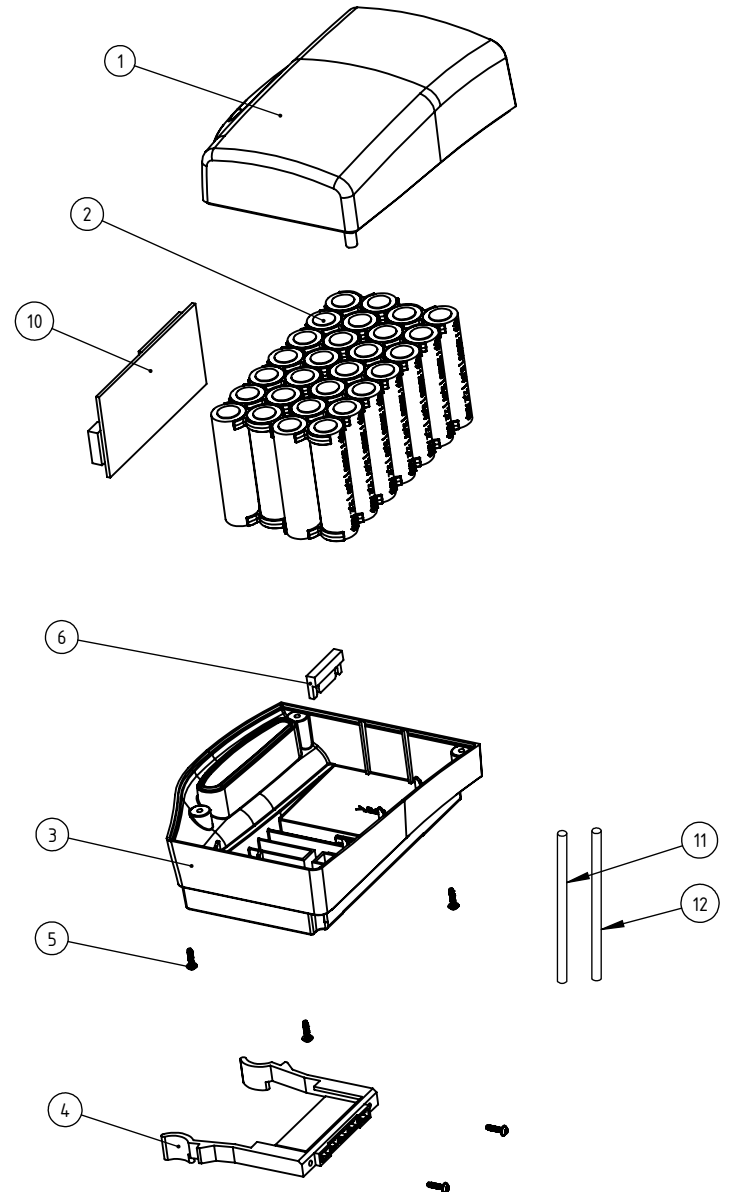


Item	P/N	Description	Qty.
	S.72.0085.0	WATER COUPLING VERSION 2	
1	72.0192.6	RUBBER BLOCK FILTER	1
2	72.0085.0	WATER COUPLING FILTER	1
3	72.0192.5	RUBBER GASKET ID 19mm, OD31mm, T=1.5mm	1
4	72.0192.5/A	RUBBER GASKET ID 19mm, OD31mm, T=3mm	1
5	72.0192.2/375A	HOUSING OF VALVE	1
6	72.0192.3/A	SPRINGWATER COUPLING (A)	1
7	72.0192.4/357A	VALVE WATER COUPLING, GREY (A)	1
8	72.0192.1	HOUSING WATER COUPLING	1
9	72.0289.0/8	METAL CAP WATER COUPLING, YELLOW	1

<b>TOLERANCES UNSPECIFIED</b>		REMARK: -		<b>SMT-FCT DONGGUAN</b> <b>THE FRIENDLY FAMILY</b> 东莞硕能塑胶模具有限公司 <b>ASSEMBLY AND MOULDING OF CLEANING</b>			
LINE	ANGLE	MATERIAL: -		APPROVED	CHECKED	DISGNE	REV.
.xxx ±0.005	x ±2°					CONNIE	UNIT
.xx ±0.05	.x ±1.5°						mm
.x ±0.1	.xx ±1°						PART NAME
. ±0.2	.xxx ±0.5°						IMOPXLN.FCT.2A EXPLODED VIEW
xx ±0.5							PART NO
xxx ±1							IMOPXLN.FCT.2A
SHEET OF		DATE				29/Dec/2021	SCALE
							PROJECT
							SIZE
							A4



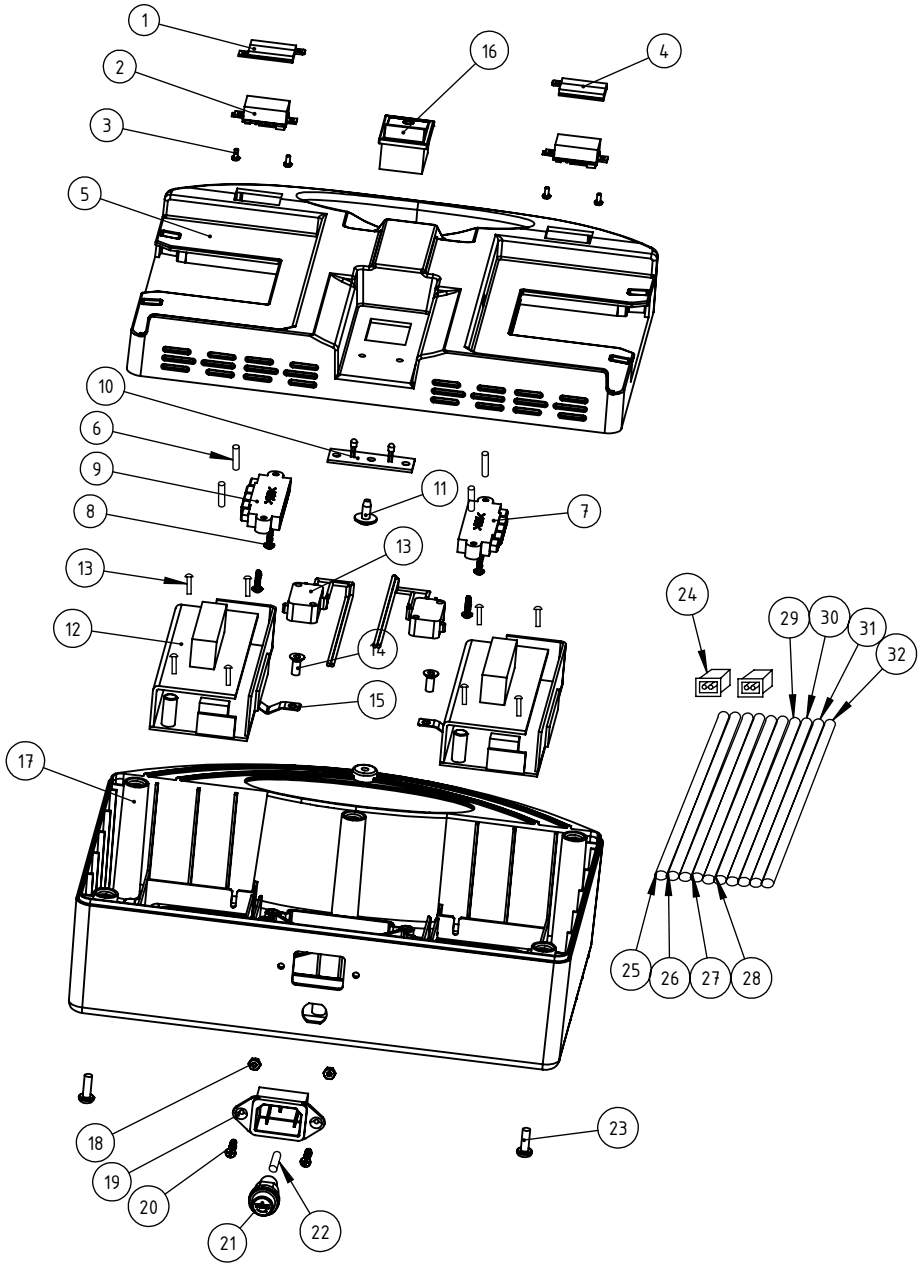
Revision	Description	Revised	Date
A	FIRST RELEASE	CONNIE	30/Dec/2021



Item	P/N	Description	Qty.
	S.72.0074.2BSRA	ASSY BATTERY PACK BLUE LEFT BMS (FIRE RES) (W/O FUSE)	
1	72.0078.2R	BATTERY PACK HOUSING TOP LEFT (FIRE RESISTANT)	1
2	72.0131.1/A	BATTERY PACK CELLS (8.8Ah) (W/O FUSE)	1
3	72.0074.2R	BATTERY PACK HOUSING BOTTOM LEFT WHITE (FIRE RESISTANT)	1
4	72.0075.797	BATTERY CONNECTOR FEMALE, BLUE, LEFT (P312C)	1
5	72.0057.0	SCREW WN 5451 25X10 EJOT DELTA PT	N/A
6	72.0218.0	LIMITATION BLOCK FEMALE CONNECTOR	1
7	72.0170.0 NO SHOW	BUBBLE WRAP BAG 250x210	1
8	89.0469.2099.05 NO SHOW	SERIAL NO. BATTERY (C)	1
9	89.0469.2099.06BM NO SHOW	STICKER SAFETY ADVISE FOR BATTERY LEFT BMS	1
10	72.0284.0	BMS BOARD IMOP BATTERY	1
11	72.0129.0	BATTERY CONNECTOR + WIRES 14AWG, RED, L=250mm	1
12	72.1030.0	BATTERY CONNECTOR + WIRES 14AWG, BLACK, L=250mm	1

TOLERANCES UNSPECIFIED		REMARK:		SMT-FCT DONGGUAN THE FRIENDLY FAMILY 东莞硕能塑胶模具有限公司 ASSEMBLY AND MOULDING OF CLEANING						
LINE	ANGLE	-		MATERIAL: -						
.xxx	±0.005	x	±2°	APPROVED	CHECKED	DISGNE	REV. A	PART NAME	IMOPXLN.FCT.2A EXPLODED VIEW	FIRST ANGLE PROJECTION
.xx	±0.05	.x	±1.5°			CONNIE	UNIT	PART NO	IMOPXLN.FCT.2A	SIZE
.x	±0.1	.xx	±1°				SCALE	PROJECT		A4
.	±0.2	.xxx	±0.5°							
xx	±0.5									
xxx	±1									
SHEET OF		DATE				30/Dec/2021				

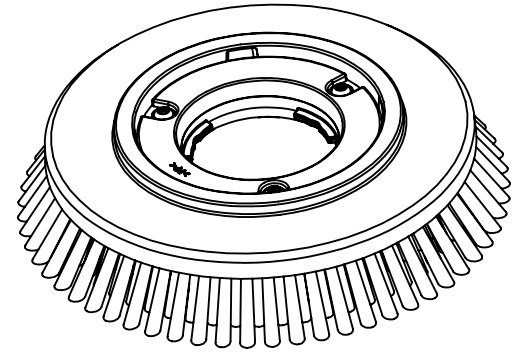
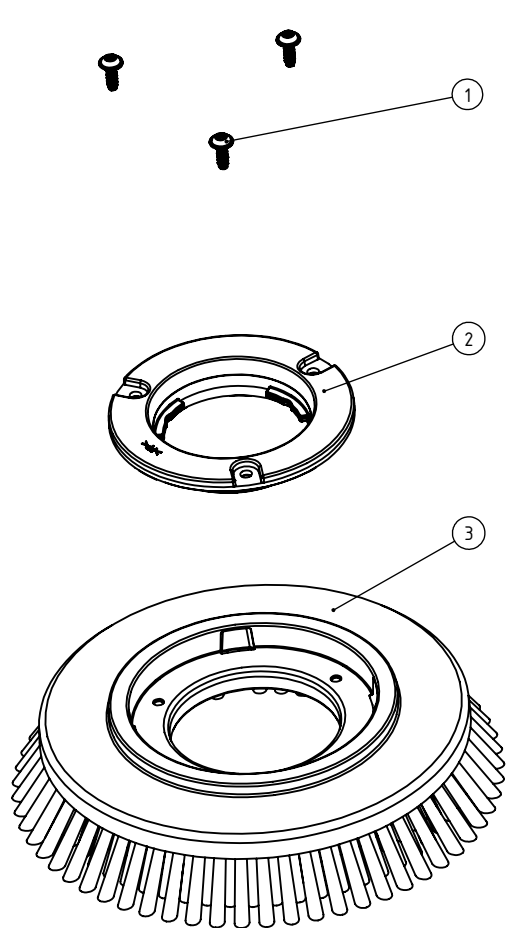
1	2		3		4		5		6	
Revision	Description		Revised	Date						
A	FIRST RELEASE		CONNIE	29/Dec/2021	PAGE 10 / 22					



Item	P/N	Description	Qty.
	S.72.0299.B/1	IMOP BATTERY MCU CHARGER 3 PIN	
1	72.0275.1	TRANSPARENT COVER VOLTAGE DISPLAY RIGHT	1
2	72.0174.0/A	VOLTAGE DISPLAY WITH PERCENTAGE	2
3	72.0328.0	SCREW M2X 5 CROSS HEAD SELF TAPPING	4
4	72.0275.0	TRANSPARENT COVER VOLTAGE DISPLAY LEFT	1
5	72.0187.2R	NEW CHARGER TOP HOUSING WHITE [FIRE RESISTANT]	1
6	85.0050.1	ALIGNMENT PIN LONGER VERSION	4
7	72.0068.357	BATTERY CONNECTOR MALE, LEFT: GREY	1
8	72.0057.0	SCREW WN 5451 25X10 EJOT DELTA PT [MCH 1416-1001-2150]	4
9	72.0068.797	BATTERY CONNECTOR MALE, Right: BLUE	1
10	72.0197.0	LED PCB NEW CHARGER IMOP	1
11	85.1035.0	SCREW M3 X 10 CROSS HEAD WASHER SELF TAPPING BL-NI	1
12	72.0106.0/A	CHARGE UNIT MCU	2
13	72.0325.0	COUNTER SINK SELF TAP SCREW M3.6X15	8
14	00.0002.7	SCREW 4 X 10	3
15	72.0205.0	WIRE CLAMP	2
16	04.0009.30	SWITCH 4P LIGHT GREEN 0/I	1
17	72.0188.357R	NEW CHARGER TOP BOTTOM HOUSING GREY [FIRE RESISTANT]	1
18	20.0031.5	NUT M3 NYLON	2
19	72.0002.3	RECEPT INLET 3P+TWO SCREW HOLES CB 3PIN	1
20	66.0301.0	COUNTER SUNK SCREW M3*15	2
21	72.0195.0	FUSE BASE 6.3A	1
22	72.0195.1	FUSE 6.3A	1
23	00.0121.0	SCREW ST4 X 9.3 CROSSHEAD SELFTAPED BL-NI	6
24	72.0124.1	HOUSING VH-2P	2
25	72.0193.4	WIRE RED INLET TO SWITCH	1
26	72.0123.0/A	MALE CONNECTOR + WIRES 18AWG BLACK 270M	2
27	72.0124.0/A	MALE CONNECTOR + CONNECTOR WIRES 18AWG BLACK 270MM	2
28	72.0144.0	2 CORD WIRE WITH CONNECTOR PCB	2
29	72.0193.0/A	WIRE BLACK/RED WITH TUBE CHARGER SWITCH	1
30	72.0193.2	WIRE BLACK INLET TO FUSE	1
31	72.0193.3	WIRE BLACK FUSE TO SWITCH	1
32	72.0193.5	GROUND WIRE YELLOW & GREEN	1
33	89.0469.2089.00 NO SHOW	SERIAL NO. BATTERY MCU CHARGER	1
34	72.0326.0 NO SHOW	CABLE TIE 3*130MM	1

TOLERANCES UNSPECIFIED		REMARK:		<b>SMT-FCT_DONGGUAN</b> <b>THE FRIENDLY FAMILY</b> 东莞硕能塑胶模具有限公司 <b>ASSEMBLY AND MOULDING OF CLEANING</b>			
LINE	ANGLE	-					
.xxx ±0.005	x ±2°	MATERIAL: -		APPROVED	CHECKED	DISGNED	REV.
.xx ±0.05	.x ±1.5°					CONNIE	A
.x ±0.1	.xx ±1°					UNIT	mm
. ±0.2	.xxx ±0.5°					SCALE	PROJECT
xx ±0.5							
xxx ±1							
SHEET 1 OF 1		DATE		29/Dec/2021		SCALE	
						A4	

1	2		3		4		5		6	
Revision	Description		Revised	Date						
A	FIRST RELEASE		CONNIE	29/Dec/2021	PAGE 11 / 22					

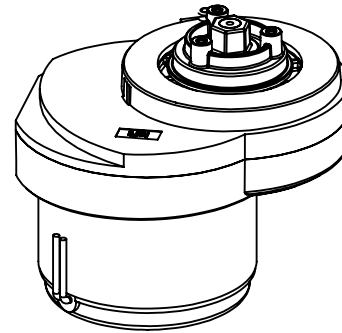
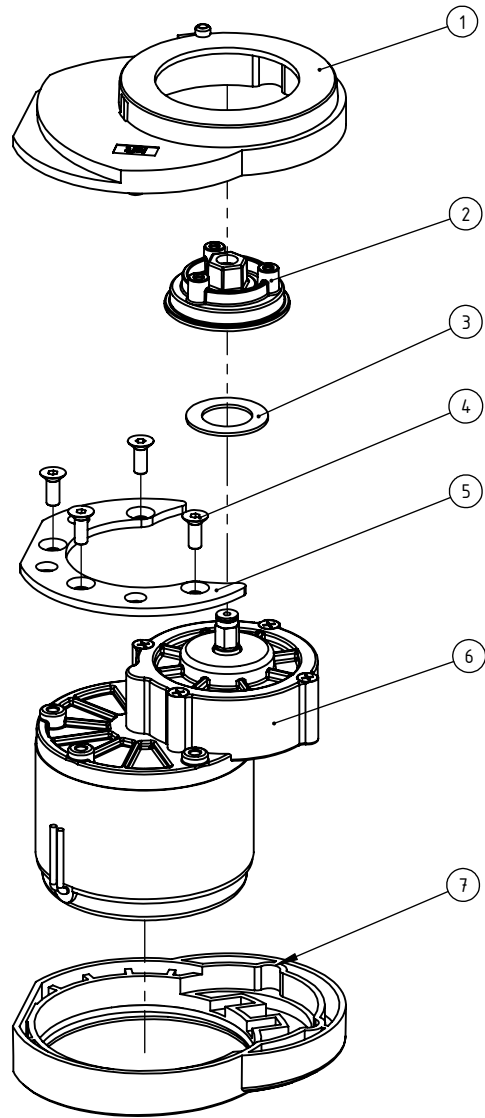


Item	P/N	Description	Qty.
	S.72.0092.797/797	ASS BRUSH IMOP COMPLETE BLUE BRISTLE, BLUE LOCKER	
1	72.0026.0	SCREW WN 5451 50X14 EJOT DELTA PT (MCH 1416-1001-2004)	3
2	72.0093.797	BRUSH LOCKER BLUE (P312C)	1
3	S.72.0091.797	ASSY BRUSH DISC BLUE (P312C)	1

<b>TOLERANCES UNSPECIFIED</b>		REMARK: -		<b>SMT-FCT DONGGUAN</b> <b>THE FRIENDLY FAMILY</b> 东莞硕能塑胶模具有限公司 <b>ASSEMBLY AND MOULDING OF CLEANING</b>					
LINE	ANGLE	MATERIAL: -							
.xxx ±0.005	x ±2°	APPROVED	CHECKED	DISGNE	REV.	A	PART NAME	IMOPXLN.FCT.2A EXPLODED VIEW	
.xx ±0.05	.x ±1.5°			CONNIE	UNIT	mm	PART NO	IMOPXLN.FCT.2A	SIZE
.x ±0.1	.xx ±1°				SCALE		PROJECT		A4
. ±0.2	.xxx ±0.5°								
xx ±0.5									
xxx ±1									
SHEET OF		DATE		29/Dec/2021					



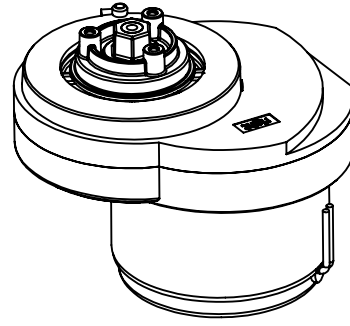
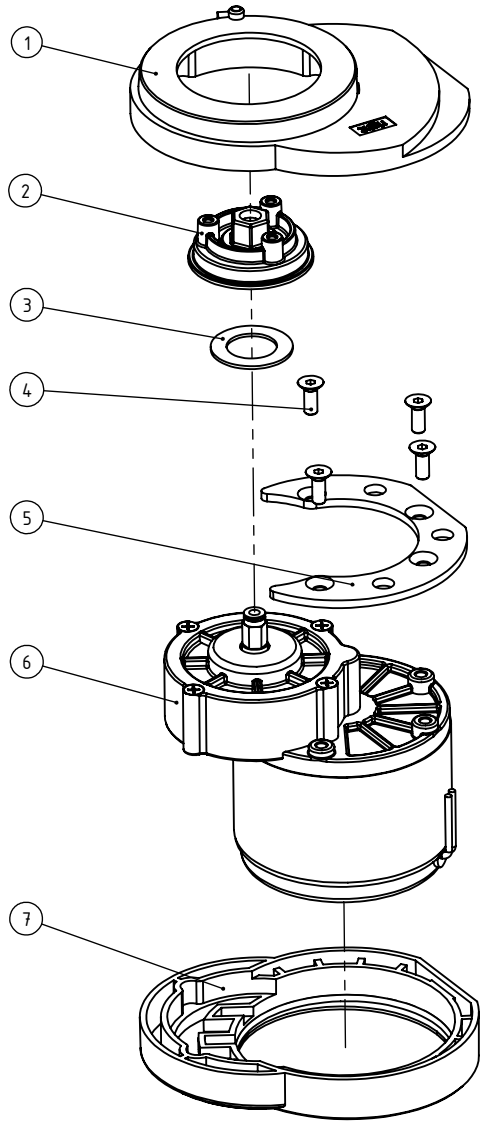
1		2		3		4		5		6	
Revision	Description			Revised	Date						
A	FIRST RELEASE			CONNIE	29/Dec/2021						
										PAGE	13 / 22



Item	P/N	Description	Qty.
	S.72.0000.0R	ASSY BRUSH MOTOR LEFT (Ve1)	
1	72.0007.0	BRUSH MOTOR SUPPORT SUPPORT RUBBER LEFT (MCH 1416-1001-2107)	1
2	72.0005.357/C	DRIVING WHEEL TOP WITH METAL INSERT (VER.1)	1
3	72.0004.0	FELT BRUSH MOTOR (MCH 1416-1001-2183)	1
4	72.0002.0N	NYLOK SCREW COUNTER SUNK BOLT M6X16 (MCH 1416-1001-2104)	4
5	72.0001.0	BRUSH MOTOR CONSTRUCTION RING LEFT (MCH 1416-1001-2106)	1
6	72.0000.0MR	BRUSH MOTOR HELICAL GEARS LEFT (MCH 1416-1001-2105)	1
7	72.0006.0/A	BRUSH MOTOR FIXATION CONDUCTIVE RUBBER LEFT	1
8	72.0108.0 NO SHOW	LOCKTITE 222	0.02
9	89.0469.2099.00 NO SHOW	SERTAL NO. BRUSH MOTOR LEFT	1

<b>TOLERANCES UNSPECIFIED</b>		REMARK:		 东莞硕能塑胶模具有限公司 ASSEMBLY AND MOULDING OF CLEANING								
LINE	ANGLE	-										
.xxx ±0.005	x ±2°	MATERIAL: -		APPROVED	CHECKED	DISGNE	REV.	A	PART NAME	IMOPXLN.FCT.2A EXPLODED VIEW		
.xx ±0.05	.x ±1.5°					CONNIE	UNIT	mm	PART NO	IMOPXLN.FCT.2A	SIZE	
.x ±0.1	.xx ±1°											
. ±0.2	.xxx ±0.5°											
xx ±0.5												
xxx ±1												
SHEET OF		DATE		29/Dec/2021		SCALE		PROJECT		A4		

1	2		3		4		5		6	
Revision	Description		Revised	Date						
A	FIRST RELEASE		CONNIE	29/Dec/2021	PAGE 14 / 22					



Item	P/N	Description	Qty.
	S.72.0000.1R	ASSY BRUSH MOTOR RIGHT (Ver1)	
1	72.0007.1	BRUSH MOTOR SUPPORT SUPPORT RUBBER RIGHT (MCH 1416-1001-2101)	1
2	72.0005.357/C	DRIVING WHEEL TOP WITH METAL INSERT (VER.1)	1
3	72.0004.0	FELT BRUSH MOTOR (MCH 1416-1001-2183)	1
4	72.0002.0N	NYLOK SCREW COUNTER SUNK BOLT M6X16 (MCH 1416-1001-2104)	4
5	72.0001.1	BRUSH MOTOR CONSTRUCTION RING RIGHT (MCH 1416-1001-2007)	1
6	72.0000.1MR	BRUSH MOTOR HELICAL GEARS RIGHT (MCH 1416-1001-2005)	1
7	72.0006.1/A	BRUSH MOTOR FIXATION CONDUCTIVE RUBBER RIGHT	1
8	72.0108.0 NO SHOW	LOCKTITE 222	0.02
9	89.0469.2099.01 NO SHOW	SERTAL NO. BRUSH MOTOR RIGHT	1

**TOLERANCES UNSPECIFIED**

LINE	ANGLE
.xxx ±0.005	x ±2°
.xx ±0.05	.x ±1.5°
.x ±0.1	.xx ±1°
. ±0.2	.xxx ±0.5°
xx ±0.5	
xxx ±1	

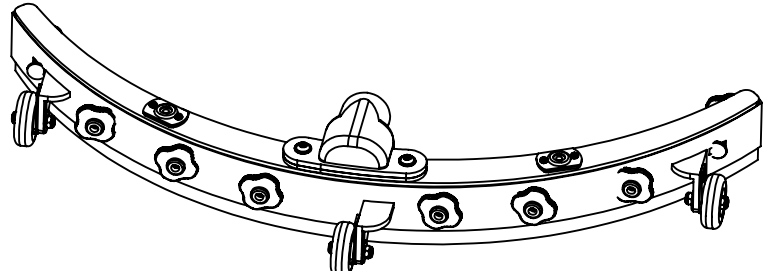
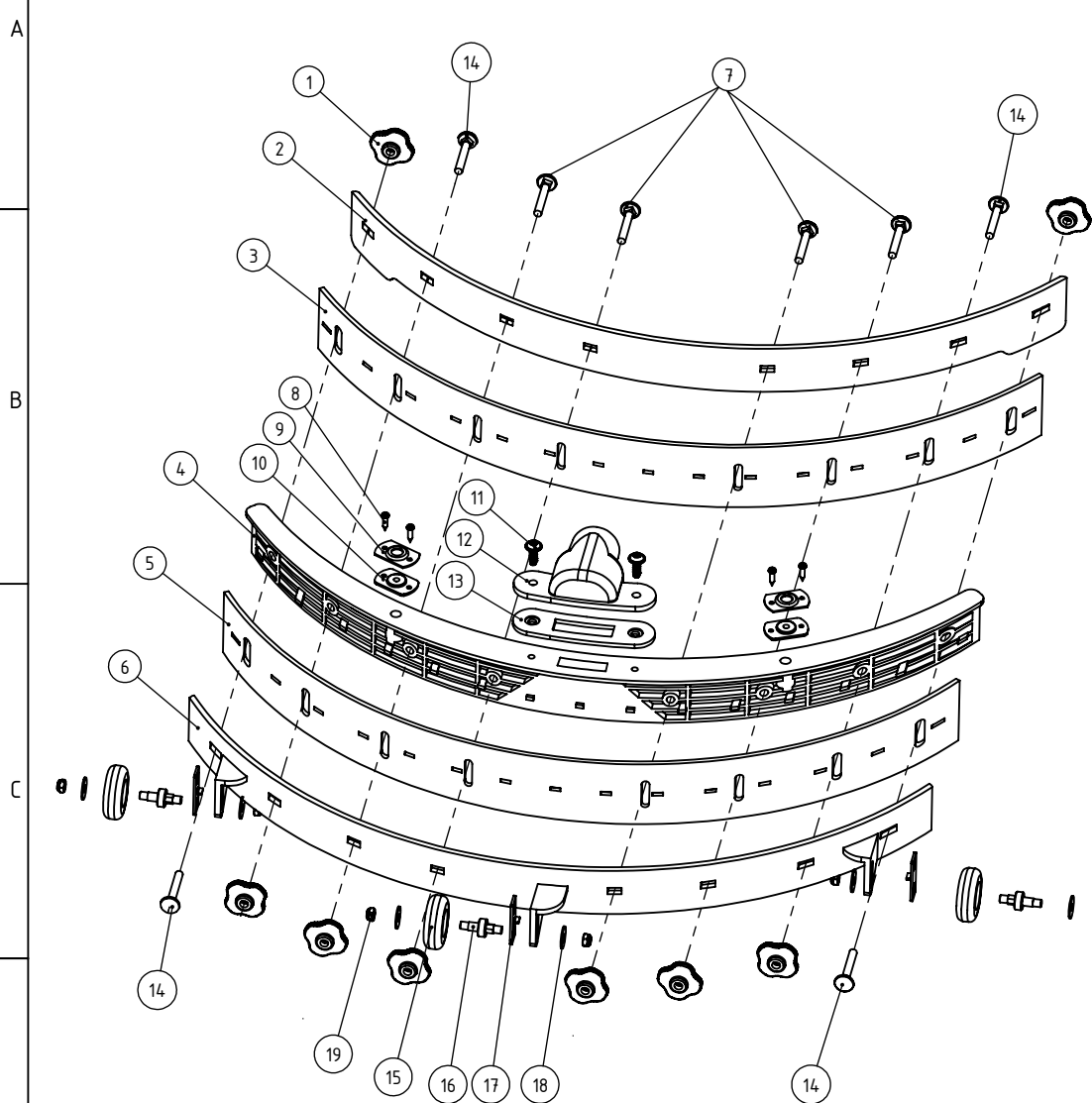
REMARK: -

MATERIAL: -

APPROVED	CHECKED	DISGNE	REV.	A
		CONNIE	UNIT	mm
SHEET OF	DATE	29/Dec/2021	SCALE	PROJECT

**SMT-FCT DONGGUAN**  
**THE FRIENDLY FAMILY**  
 东莞硕能塑胶模具有限公司  
**ASSEMBLY AND MOULDING OF CLEANING**

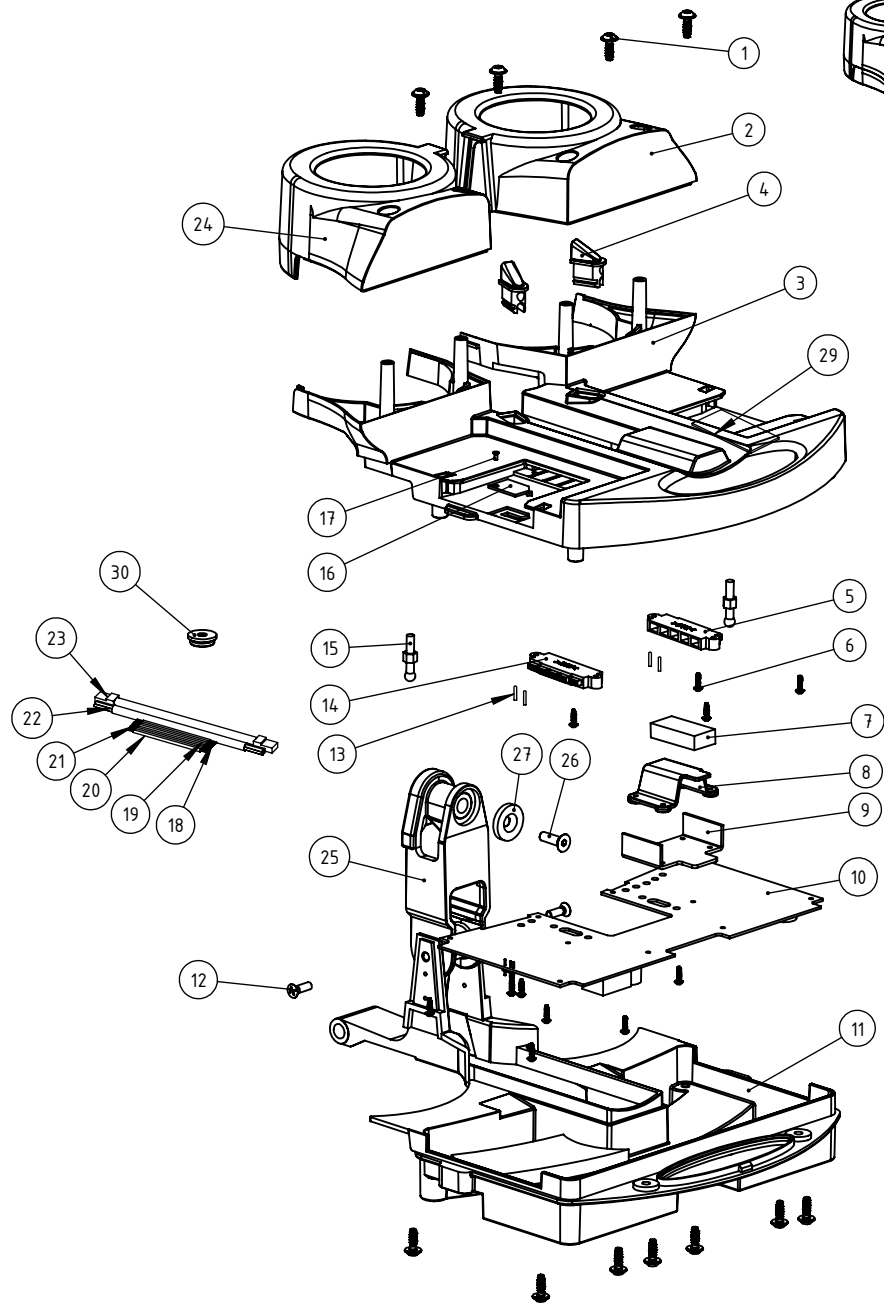
PART NAME	IMOPXLN.FCT.2A EXPLODED VIEW	
PART NO	IMOPXLN.FCT.2A	
SIZE	A4	



Item	P/N	Description	Qty.
	S.72.0096.2	SQUEEGEE ASSEMBLY (MCH 1416-1001-1006)	
1	72.0135.0	PLASTIC NUT SQUEEGEE	8
2	72.0097.0	SQUEEGEE FRONT PLATE [MCH 1416-1001-2068]	1
3	72.0099.2A	SQUEEGEE FRONT RUBBER LINATEX MATERIAL NAT COLOR RED	1
4	72.0098.0	SQUEEGEE TOP PLATE [MCH 1416-1001-2069]	1
5	72.0100.2A	SQUEEGEE REAR RUBBER LINATEX MATERIAL NAT COLO RED	1
6	72.0096.0	SQUEEGEE REAR PLATE [WHEEL SIDE]	1
7	72.0136.0	M5 SCREW BOLT, THREAD LENGTH 35	4
8	85.1008.1	SCREW M3 X12 CROSSHEAD SELFTAPPING BL-NI,SST	4
9	72.0340.0A	FIXATION PLATE SQUEEGEE PIN STAINLESS STEEL	2
10	72.0200.0/D	RUBBER WASHER FIXATION SQUEEGEE PIN BLACK Thickness:2.5MM	2
11	72.0026.0	SCREW WN 5451 50X14 EJOT DELTA PT	2
12	72.0103.8/C	SQUEEGEE HOSE CONNECTOR -UP YELLOW PP[C]	1
13	72.0102.0/A	SQUEEGEE HOSE CONNECTOR-SEALING GASKET	1
14	72.0136.1	M5 SCREW BOLT, THREAD LENGTH 30	4
15	72.0238.32	SQUEEGEE CASTOR GREY DIA.8MM	3
16	72.0137.2	SHAFT SQUEEGEE CASTOR DIA.8MM	3
17	72.0138.1	HEIGHT ADJUSTMENT PLATE [Ver1]	3
18	72.0235.0	M5 WASHER STAINLESS STEEL 5X15X1MM	6
19	04.0048.0	NUT M5 NYLON	6

<b>TOLERANCES UNSPECIFIED</b>		REMARK: -		<b>SMT-FCT DONGGUAN</b> <b>THE FRIENDLY FAMILY</b> 东莞硕能塑胶模具有限公司 <b>ASSEMBLY AND MOULDING OF CLEANING</b>			
LINE	ANGLE			MATERIAL: -			
.xxx ±0.005	x ±2°	APPROVED	CHECKED	DISGNE	REV.	A	PART NAME
.xx ±0.05	.x ±1.5°			CONNIE	UNIT	mm	IMOPXLN.FCT.2A EXPLODED VIEW
.x ±0.1	.xx ±1°						PART NO
. ±0.2	.xxx ±0.5°						IMOPXLN.FCT.2A
xx ±0.5							SIZE
xxx ±1							A4
SHEET OF	DATE			29/Dec/2021	SCALE	PROJECT	



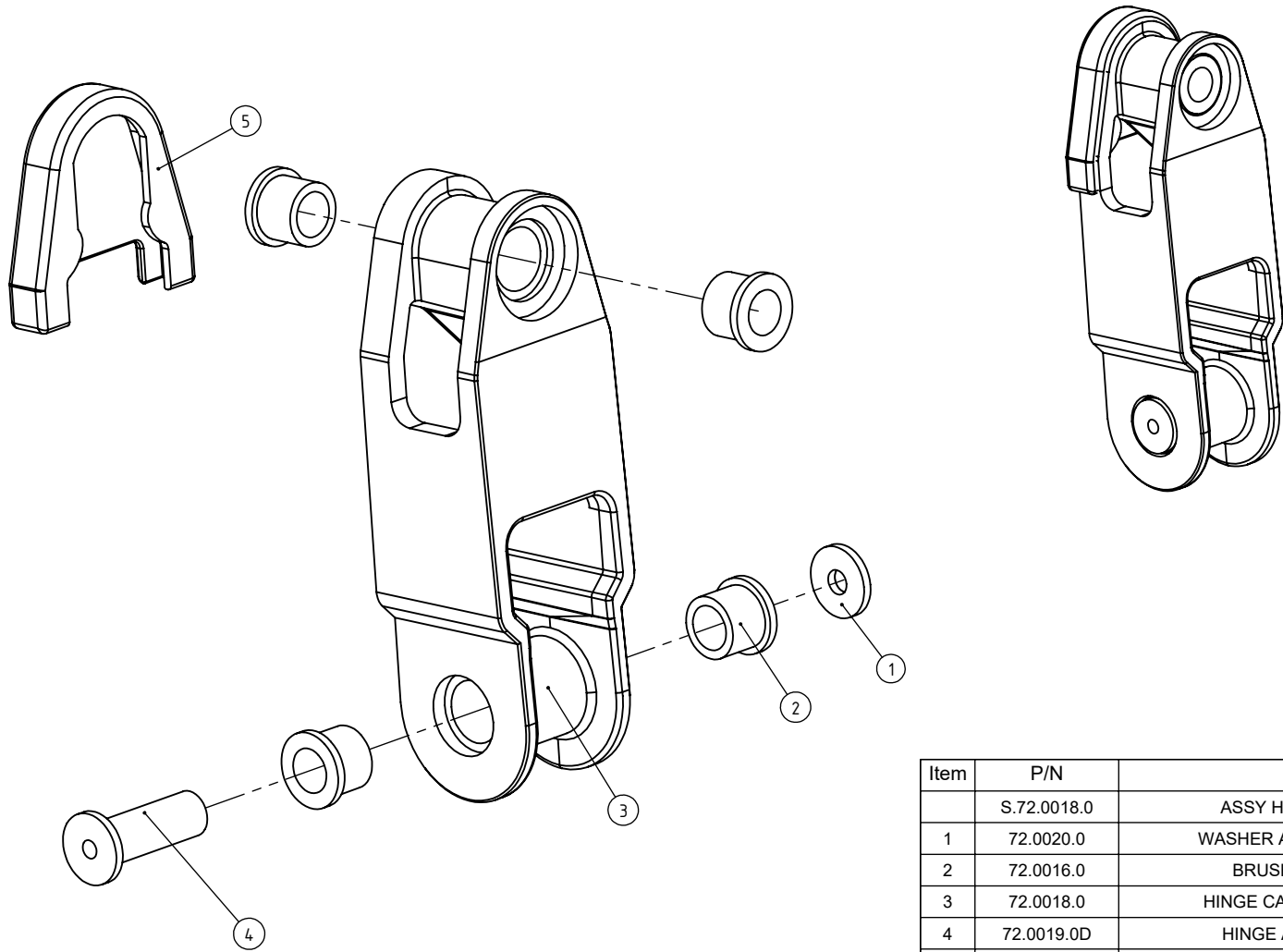


Item	P/N	Description	Qty.
	S.72.0065.21	ASSY MAIN LEVER UNIT IMOPXL MERCURY SWITCH	
1	72.0026.0	SCREW WN 5451 50X14 EJOT DELTA PT (MCH 1416-1001-2004)	12
2	72.0072.2	BRUSH WOTOR COOLING COVER RIGHT (MCH 1416-1001-2153), KLEUR	1
3	72.0065.2A	MAIN LEVER COVER	1
4	72.0069.0A	PCB MACHINE SEAL	2
5	72.0068.357	BATTERY CONNECTOR MALE Left:Blue, Right:Grey, Kleur: Grey	1
6	72.0057.0	SCREW WN 5451 25X10 EJOT DELTA PT (MCH 1416-1001-2150)	18
7	72.0051.0	MAGNET TOP UNIT 40X20X10mm (MCH 1416-1001-2044)	1
8	72.0067.357	MAGNET TOP UNIT HOLDER (MCH 1416-1001-2192), JKEYR: GREY.357	1
9	72.0219.0	STEEL COVER ISOLATION MAGNETIC T=3mm	1
10	72.0487.0	MAIN PCB IMOP WITH DOUBLE CUT-OFF   15MINUTES ALARMING	1
11	72.0010.0/A	MAIN LEVER HOUSING (A)	1
12	72.0028.0N	NYLOK SCREW COUNTER SUNK BOLT M5X16	2
13	85.0050.1	ALIGNMENT PIN LONGER VERSION	4
14	72.0068.797	BATTERY CONNECTOR MALE LEFT: BLUE, RIGHT: GERY, KLEUR: BLUE	1
15	72.0071.0	SQUEEGEE FIXATION PIN (MCH 1416-1001-2158)	2
16	72.0164.2	COVER USB UPDATE SLOT, KLEUR: WHITE .2	1
17	72.0165.0	SCREW COUNTSUNK M1.7X6	1
18	72.0123.0/A	MALE CONNECTOR + WIRES 18AWG RED 270MM	2
19	72.0124.0/A	MALE CONNECTOR + CONNECTOR WIRES 18AWG BLACK 270MM	2
20	72.0157.0/A	WIRES FOR BRUSH UNIT 14AWG BLACK ANGLE TERMINAL L=280mm	2
21	72.0157.1/A	WIRES FOR BRUSH UNIT 14AWG RED ANGLE TERMINAL L=280mm	2
22	S.72.0126.0	AAV POWER CABLE 3 WIRES ANGLE TERMINALS [1.5MM 2 L	1
23	S.72.0125.0G	ASSY UTP CABLE (GLASS+FIBRE) RJ45 + SEALING RING	1
24	72.0073.2	BRUSH MOTOR COOLING COVER LEFT [MCH 1416-1001-2154], Kleur:	1
25	S.72.0018.0	ASSY HINGE CARDAN [MCH 1416-1001-1011]	1
26	72.0033.2	COUNTER SUNK HEAD CAP SCREW M6X20 WITH NYLOK SCREW	1
27	72.0058.1	CARDAN DISK [Ver1]	1
28	72.0222.0 NO SHOW	PET SHEET ONE SIDE 3M GLUE T=0.04MM	4
29	89.0467.2099.10	STICKER IMOP [STRONG MAGNAETS] [B]	1
30	72.0246.0	SEALING RING SIGAR UTP CONNECTOR	1

<b>TOLERANCES UNSPECIFIED</b>		REMARK: -		<b>SMT-FCT_DONGGUAN</b> <b>THE FRIENDLY FAMILY</b> 东莞硕能塑胶模具有限公司 <b>ASSEMBLY AND MOULDING OF CLEANING</b>			
LINE	ANGLE	MATERIAL: -		APPROVED	CHECKED	DISGNE	REV.
.xxx ±0.005	x ±2°					CONNIE	A
.xx ±0.05	.x ±1.5°					UNIT	mm
.x ±0.1	.xx ±1°					SCALE	PROJECT
. ±0.2	.xxx ±0.5°						
xx ±0.5							
xxx ±1							
SHEET 1 OF 1	DATE	29/Dec/2021					A4



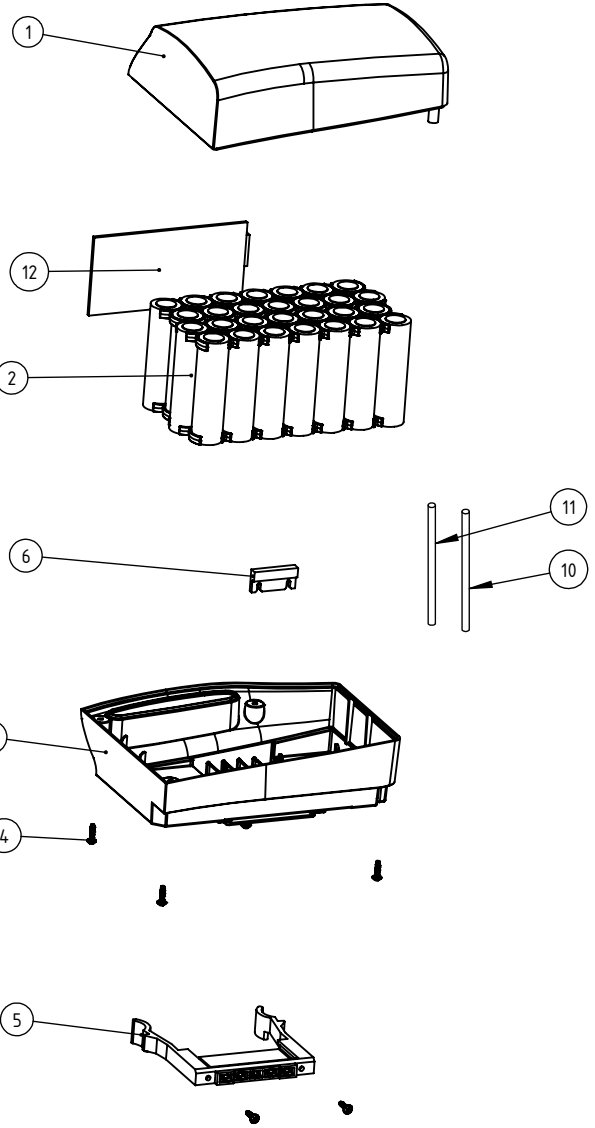
1	2		3		4		5		6	
Revision	Description		Revised	Date						
A	FIRST RELEASE		CONNIE	29/Dec/2021						
				PAGE		17 / 22				



Item	P/N	Description	Qty.
	S.72.0018.0	ASSY HINGE CARDAN (MCH 1416-1001-1011)	
1	72.0020.0	WASHER AZIS MAIN LEVER (MCH 1416-1001-2116)	1
2	72.0016.0	BRUSHING AXIS 10 (MCH 1416-1001-2112)	4
3	72.0018.0	HINGE CARDAN TOP NUIT (MCH 1416-1001-2029)	1
4	72.0019.0D	HINGE AXIS MAIN LEVER STAINLESS STEEL	1
5	72.0311.357	COVER HINGE SCREW, KLEUR: GREY .357 (P431C)	1

<b>TOLERANCES UNSPECIFIED</b>		REMARK: -		<b>SMT-FCT DONGGUAN</b> <b>THE FRIENDLY FAMILY</b> 东莞硕能塑胶模具有限公司 <b>ASSEMBLY AND MOULDING OF CLEANING</b>					
LINE	ANGLE	MATERIAL: -							
.xxx ±0.005	x ±2°	APPROVED	CHECKED	DISGNE	REV.	A	PART NAME	IMOPXLN.FCT.2A EXPLODED VIEW	
.xx ±0.05	.x ±1.5°			CONNIE	UNIT	mm	PART NO	IMOPXLN.FCT.2A	SIZE
.x ±0.1	.xx ±1°				SCALE	1:1	PROJECT		A4
. ±0.2	.xxx ±0.5°	SHEET 1 OF 1		DATE		29/Dec/2021			

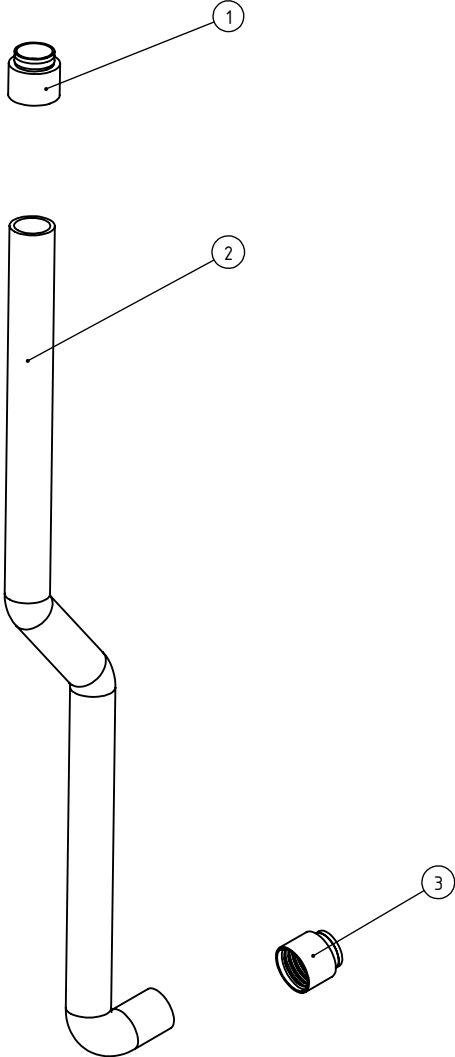
1		2		3		4		5		6	
Revision	Description			Revised	Date						
A	FIRST RELEASE			CONNIE	30/Dec/2021	PAGE 18 / 22					



Item	P/N	Description	Qty.
	S.72.0079.2BSRA	ASSY BATTERY PACK GREY RIGHT BMS (FIRE RES) (W/O FUSE)	
1	72.0132.2R	BATTERY PACK HOUSING TOP RIGHT (FIRE RESISTANT)	1
2	72.0131.1/A	BATTERY PACK CELLS (8.8Ah) (W/O FUSE)	1
3	72.0079.2R	BATTERY PACK HOUSING BOTTOM RIGHT WHITE (FIRE RESISTANT)	1
4	72.0057.0	SCREW WN 5451 25X10 EJOT DELATA PT (MCH 1416-1001-2150)	N/A
5	72.0075.357	BATTERY CONNECTOR FEMALE, GREY, RIGHT (P431C)	1
6	72.0218.0	LIMITATION BLOCK FEMALE CONNECTOR	1
7	72.0170.0 NO SHOW	BUBBLE WRAP BAG 250x210	1
8	89.0469.2099.05 NO SHOW	SERIAL NO. BATTERY	1
9	89.0469.2099.07BM NO SHOW	STICKER SAFETY ADVISE FOR BATTERY RIGHT BMS	1
10	72.0129.0	BATTERY CONNECTOR + WIRES 14AWG, RED, L=250mm	1
11	72.1030.0	BATTERY CONNECTOR + WIRES 14AWG, BLACK, L=250mm	1
12	72.0284.0	BMS BOARD IMOP BATTERY	1

<b>TOLERANCES UNSPECIFIED</b>		REMARK:		<b>SMT-FCT DONGGUAN</b> <b>THE FRIENDLY FAMILY</b> 东莞硕能塑胶模具有限公司 <b>ASSEMBLY AND MOULDING OF CLEANING</b>			
LINE	ANGLE	-					
.xxx ±0.005	x ±2°	MATERIAL: -		APPROVED	CHECKED	DISGNE	REV.
.xx ±0.05	.x ±1.5°					CONNIE	UNIT
.x ±0.1	.xx ±1°						mm
. ±0.2	.xxx ±0.5°						PART NAME
xx ±0.5							IMOPXLN.FCT.2A EXPLODED VIEW
xxx ±1							PART NO
							IMOPXLN.FCT.2A
SHEET OF	DATE						PROJECT
							SIZE
							A4

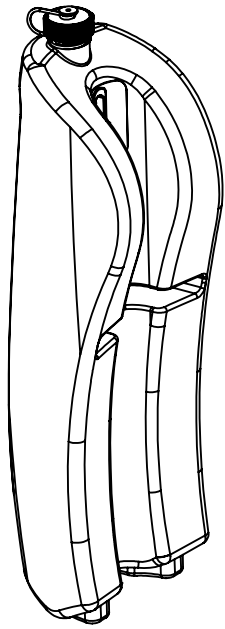
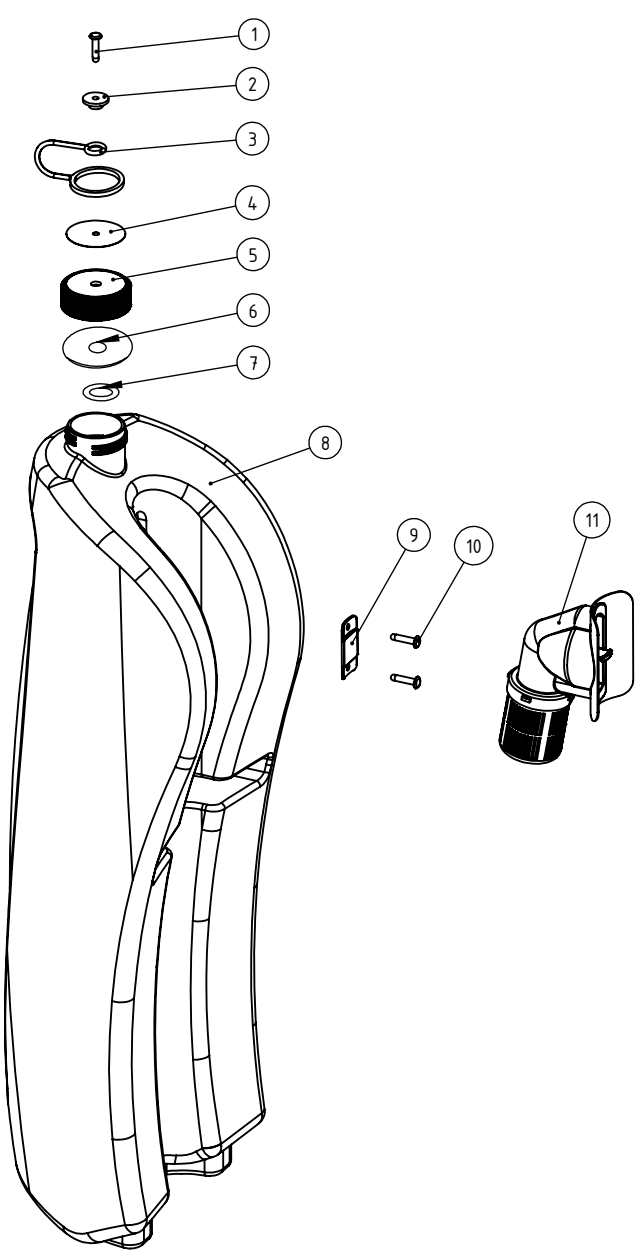
Revision		Description		Revised	Date	PAGE		19 / 22	
A		FIRST RELEASE		CONNIE	29/Dec/2021				



Item	P/N	Description	Qty.
	S.72.1094.0	STRETCH HOSE COMPLETE	
1	72.0095.8	STRETCH HOSE CUFF YELLOW	1
2	72.0094.0	STRETCH HOSE TOP UNIT [MCH 1416-1001-2098]	1
3	72.1095.8	STRETCH HOSE CUFF WITH HOOK YELLOW	1

<b>TOLERANCES UNSPECIFIED</b>		REMARK: -		<b>SMT-FCT DONGGUAN</b> <b>THE FRIENDLY FAMILY</b> <b>东莞硕能塑胶模具有限公司</b> <b>ASSEMBLY AND MOULDING OF CLEANING</b>					
LINE	ANGLE	MATERIAL: -							
.xxx ±0.005	x ±2°	APPROVED	CHECKED	DISGNE	REV.	A	PART NAME	IMOPXLN.FCT.2A EXPLODED VIEW	FIRST ANGLE PROJECTION
.xx ±0.05	.x ±1.5°			CONNIE	UNIT	mm	PART NO	IMOPXLN.FCT.2A	SIZE
.x ±0.1	.xx ±1°				SCALE		PROJECT		A4
. ±0.2	.xxx ±0.5°								
xx ±0.5									
xxx ±1									
SHEET 1 OF 1		DATE				29/Dec/2021			

1		2		3		4		5		6	
Revision	Description			Revised	Date						
A	FIRST RELEASE			CONNIE	29/Dec/2021						
										PAGE	20 / 22



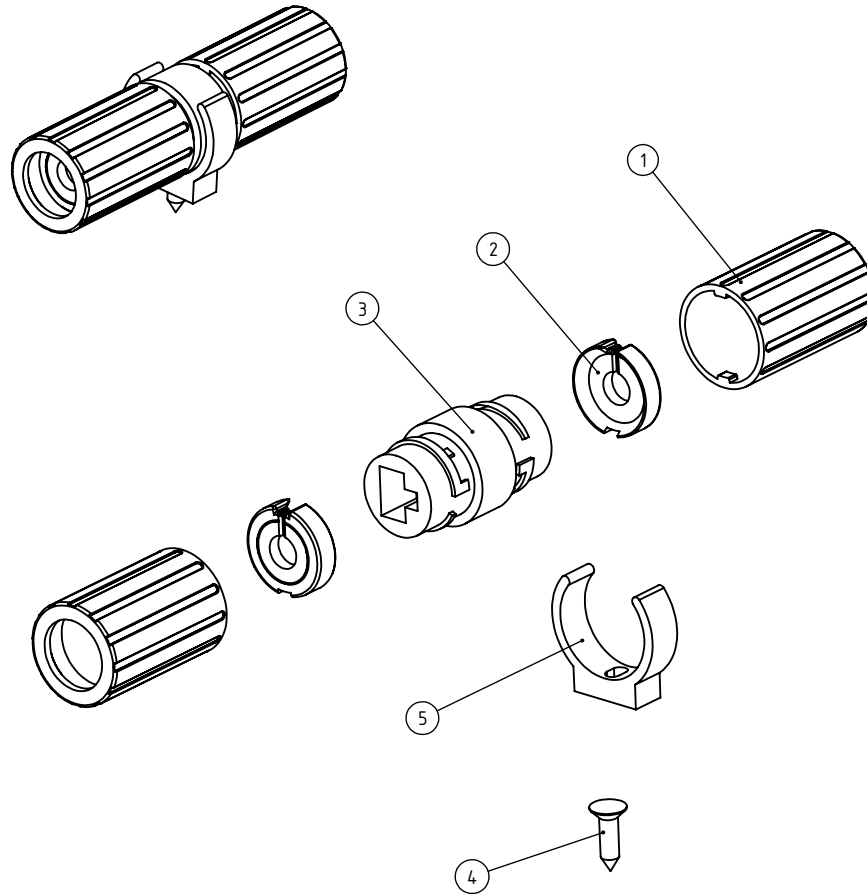
Item	P/N	Description	Qty.
	S.72.0088.4F	WHITE DIRT COMPARTMENT CAP LINE WITH FILTER/ANTIMICROBIAL	
1	54.0029.0	BLIND REVIT NAIL 4X15mmg	3
2	72.0254.0	SLEEVE CAP HOLDER	1
3	72.0252.0	CAP HOLDER	4
4	89.0469.2099.25A	WARNING PLATE ON DIRTY TANK ROUND STAINLESS PLATE 4.5mm	1
5	72.0264.357	CAP WITHOUT HOLE COLOR: GREY (P431C)	1
6	72.0265.0	SEALING GASKET CAP DIRTY TANK	1
7	72.0271.0	PLASTIC WASHER 9x4x1mm	1
8	72.0088.4	WHITE DIRT COMPARTMENT CAP VERSION ANTIMICROBIAL	1
9	72.0089.0	FIXATION PLATE DIRT COMPARTMENT (MCH 1416-1001-2171)	1
10	54.0029.0	BLIND REVIT NAIL 4 X 15 MM	2
11	S.72.0407.8	ASSY FLOAT BALL	1

<b>TOLERANCES UNSPECIFIED</b>		REMARK:		<p style="text-align: center;"><b>SMT-FCT DONGGUAN</b> THE FRIENDLY FAMILY 东莞硕能塑胶模具有限公司 ASSEMBLY AND MOULDING OF CLEANING</p>			
LINE	ANGLE	-					
.xxx ±0.005	x ±2°	MATERIAL: -		APPROVED	CHECKED	DISGNE	REV.
.xx ±0.05	.x ±1.5°					CONNIE	A
.x ±0.1	.xx ±1°						UNIT
. ±0.2	.xxx ±0.5°						mm
xx ±0.5							PART NAME
xxx ±1							IMOPXLN.FCT.2A EXPLODED VIEW
SHEET OF		DATE		29/Dec/2021		SCALE	
				1:1		PROJECT	
						SIZE	
						A4	

A  
B  
C  
D

A  
B  
C  
D

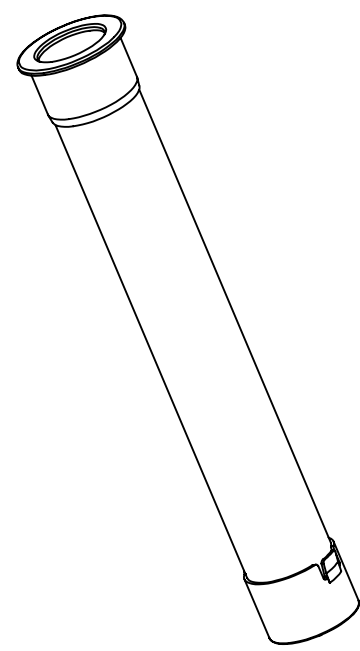
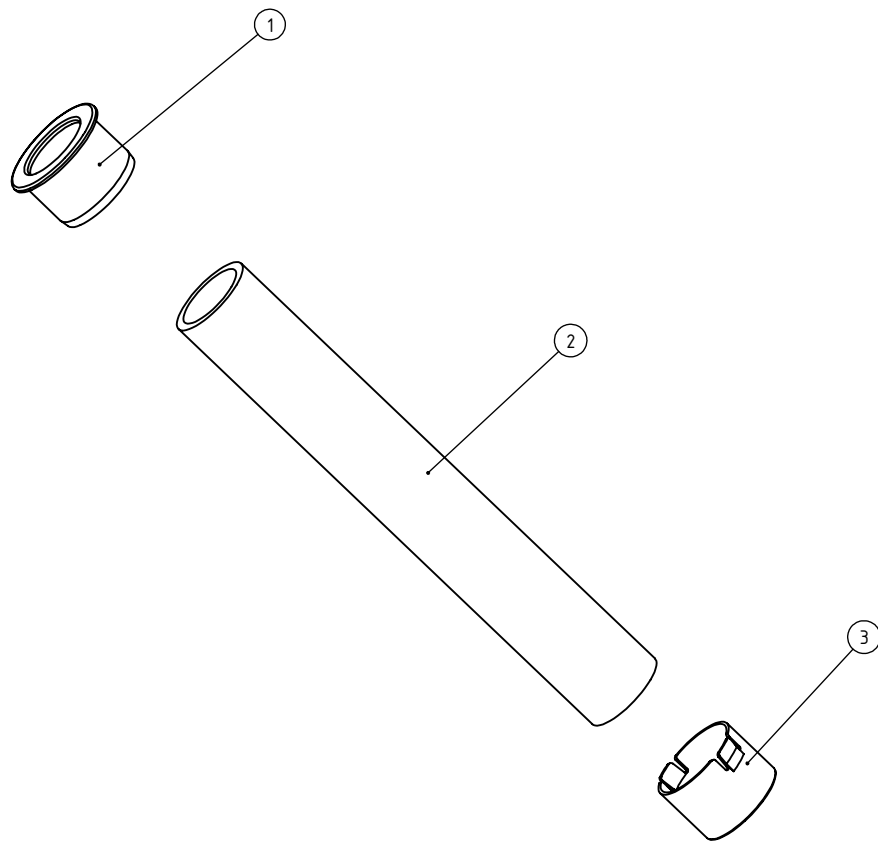
Revision	Description	Revised	Date	PAGE	
A	FIRST RELEASE	CONNIE	29/Dec/2021	21 / 22	



Item	P/N	Description	Qty.
	S.72.0243.0	ASSEMBLY SIGAR UTP CONNECTOR	1
1	72.0244.797/A	COVER UTP CONNECTOR JOINT COLOR: BLUE (P312C) (A)	2
2	72.0245.797	SUPPORT PLATE SIGAR UTP CONNECTOR COLOR: BLUE (P312C)	2
3	72.0243.0	SIGAR UTP CONNECTOR	1
4	72.0240.0	COUNT SUNK SCREW M3.5X13 PHILPS HEAD	1
5	72.0247.0/A	CLIP PLASTIC IN WHIRE WIDTH: 7mm	1

<b>TOLERANCES UNSPECIFIED</b>		REMARK: -		<b>SMT-FCT DONGGUAN</b> <b>THE FRIENDLY FAMILY</b> 东莞硕能塑胶模具有限公司 <b>ASSEMBLY AND MOULDING OF CLEANING</b>			
LINE	ANGLE	MATERIAL: -					
.xxx ±0.005	x ±2°	APPROVED	CHECKED	DISGNE	REV.	A	PART NAME
.xx ±0.05	.x ±1.5°			CONNIE	UNIT	mm	PART NO
.x ±0.1	.xx ±1°				SCALE		PROJECT
. ±0.2	.xxx ±0.5°						
xx ±0.5							
xxx ±1							
SHEET OF	DATE			29/Dec/2021			

1		2		3		4		5		6	
Revision	Description			Revised	Date						
A	FIRST RELEASE			CONNIE	29/Dec/2021						
										PAGE	22 / 22



Item	P/N	Description	Qty.
	S.72.0250.0	ASSY FILLING HOSE FOR IMOP 30CM	
1	72.0250.1	ADAPTOR OF INPUT HOSE OUTSIDE	1
2	72.0250.0	FILLING HOSE FOR IMOP 30CM	1
3	72.0250.2	ADAPTOR OF INPUT HOSE INSIDE	1

<b>TOLERANCES UNSPECIFIED</b>		REMARK: -		<b>SMT-FCT DONGGUAN</b> <b>THE FRIENDLY FAMILY</b> 东莞硕能塑胶模具有限公司 <b>ASSEMBLY AND MOULDING OF CLEANING</b>					
LINE	ANGLE	MATERIAL: -							
.xxx ±0.005	x ±2°	APPROVED	CHECKED	DISGNE	REV.	A	PART NAME	IMOPXLN.FCT.2A EXPLODED VIEW	FIRST ANGLE PROJECTION
.xx ±0.05	.x ±1.5°			CONNIE	UNIT	mm	PART NO	IMOPXLN.FCT.2A	SIZE
.x ±0.1	.xx ±1°				SCALE		PROJECT		A4
. ±0.2	.xxx ±0.5°								
xx ±0.5									
xxx ±1									
SHEET OF	DATE			29/Dec/2021					