



LISTA PEZZI DI RICAMBIO
SPARE PARTS LIST
ERSATZTEILELISTE
LISTE DES PIECES DETACHEES
LISTA PIEZAS DE RICAMBIO
E36B 12V



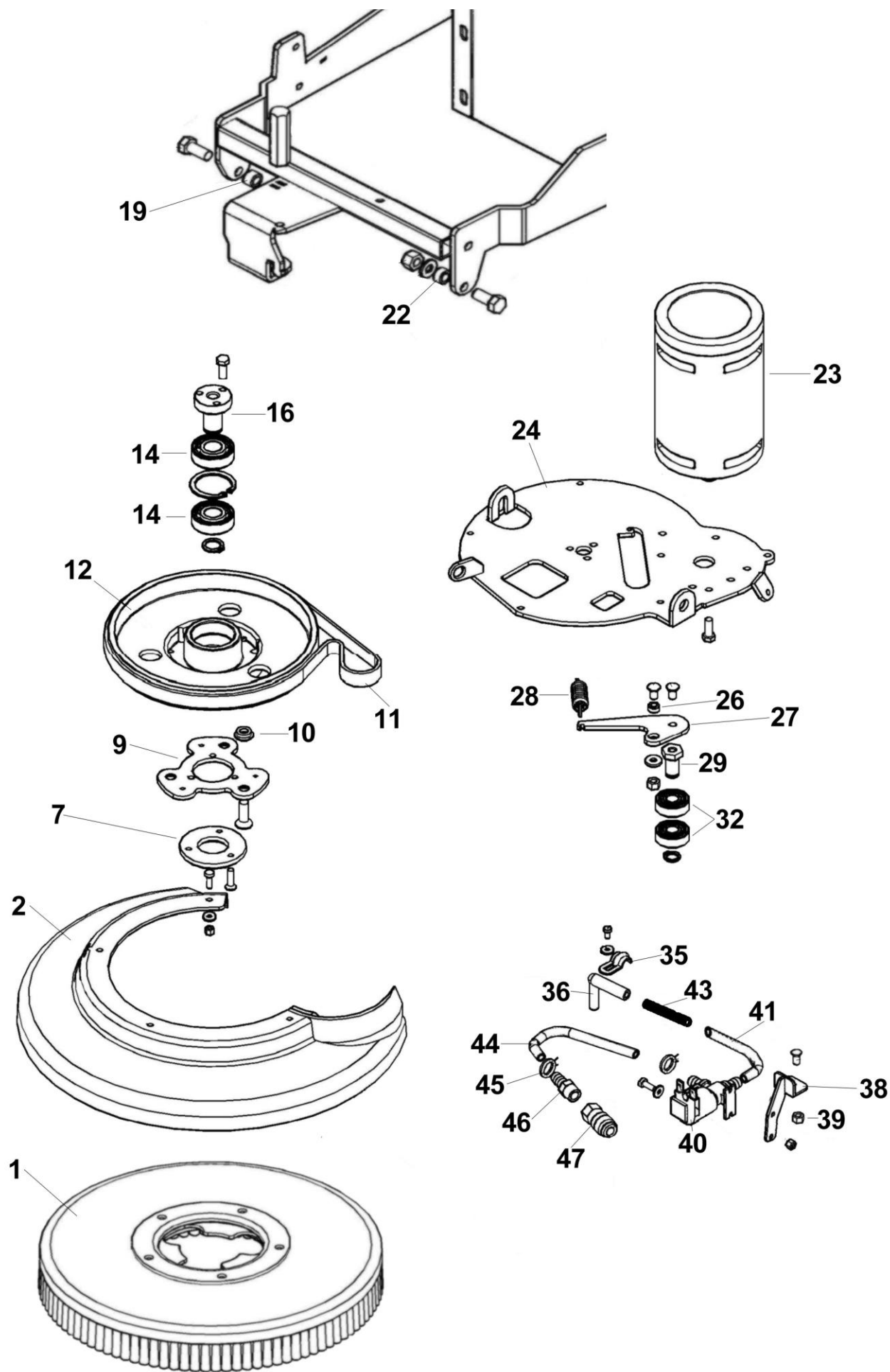
EUREKA S.R.L.

VIA DELL'INDUSTRIA 32, 35013 CITTADILLA (PD) ITALY

TEL. ++39 - 049 - 9481800

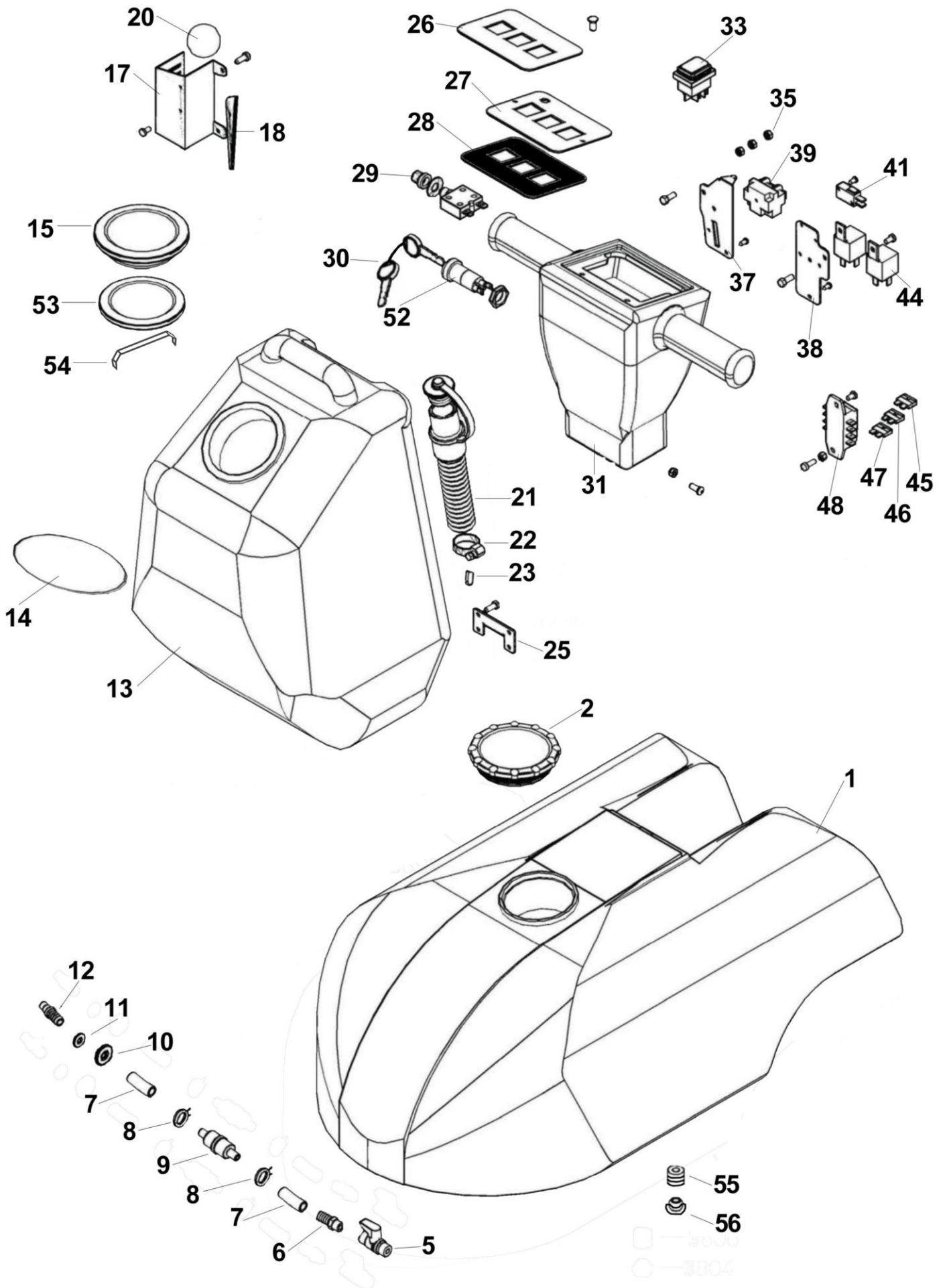
FAX. ++39 - 049 - 9481899

INTERNET: WWW.EUREKASWEEPERS.COM E-MAIL: INFO@EUREKASWEEPERS.COM



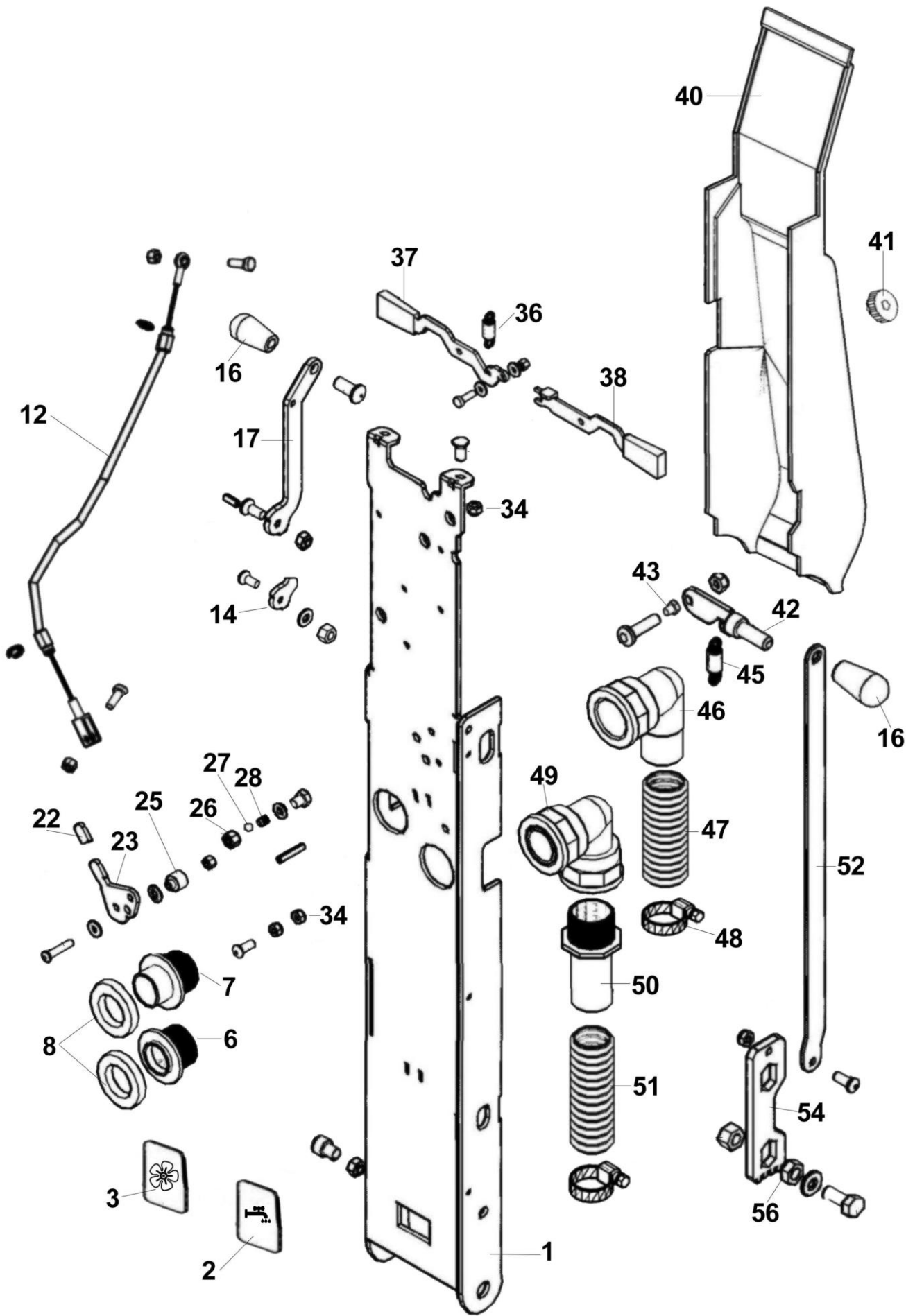
E36B - TAV.1

N°	COD.	E36B DESCRIZIONE TAV.1	E36B DESCRIPTION TAB.1	Q.TY
1	LR3653	SPAZZOLA PPL 0.65 STANDARD	PPL BRUSH 0.65 STANDARD	1
2	LR3686	CARTER SPAZZOLA	BRUSH CASE	1
7	LR3661	CENTRAGGIO SPAZZOLA	CENTERING BRUSH	1
9	LR3714	FARFALLA TRASCINAMENTO	BUTTERFLY DRIVE	1
10	LR3662	DISTANZIALE FARFALLA	BUTTERFLY SPACER	3
11	LR3658	CINGHIA POLI PV 790-J-6	POLI BELT PV 790-J-6	1
12	LR3659	CORPO VOLANO COMPLETO	FULL FLYWHEEL BODY	1
14	410006	CUSCINETTO 6004 2RS	BEARING 6004 2RS	2
16	LR3660	PERNO SUPPORTO VOLANO	FLYWHEEL SUPPORT PIN	1
19	LR3664	BOCCOLA DX BASE MOTORE	RIGHT BUSH MOTOR BASIS	1
22	LR3672	BOCCOLA PER COPERCHIO	BUSH FOR COVER	1
23	LR3656	MOTORE 12V 250W	MOTOR 12V 250W	1
24	LR3698	BASE ANTERIORE SPAZZOLA	FRONT BASIS BRUSH	1
26	LR3668	BOCCOLA PER TENDICINGHIA	BUSH FOR JOCKEY	1
27	LR3712	SUPPORTO TENDICINGHIA	JOCKEY SUPPORT	1
28	LR3667	MOLLA PER TENDICINGHIA	SPRING JOCKEY	1
29	LR3665	PERNO X TENDICINGHIA	PIN JOCKEY	1
32	410001	CUSCINETTO 6201 2RS	BEARING 6201 2RS	2
35	LR1714	GRAFFETTA Ø 12-13	CLIP Ø 12-13	1
36	LR3757	CURVA X TUBO PERNO VOLANO	CURVE FOR FLYWHEEL PIN	1
38	LR3700	SUPPORTO ELETTROVALVOLA	SOLENOID SUPPORT	1
39	720011	DADO BLOCK M.5 ZNT	BLOCK NUT M.5 GALVANIZED	1
40	LR3692	ELETTROVALVOLA 12V	SOLENOID 12V	1
41	LR3758	TUBO ATTACCO - ELETTROVALVOLA	PIPE COUPLING SOLENOID	1
43	LR3025	MOLLA CAVO ACQUA	WATER CABLE SPRING	1
44	LR3759	TUBO ELETTROVALVOLA - VOLANO	SOLENOID-FLYWHEEL PIPE	1
45	LR1274	FASCETTE BIFILARI Ø 13.3	TIE WIRES Ø 13.3	1
46	LR6084	PORTAGOMMA 1/4" Ø 9	HOSE 1/4 Ø 9	1
47	LR3766	INNESTO RAPIDO FEMMINA	FAST FEMALE JOINT	1



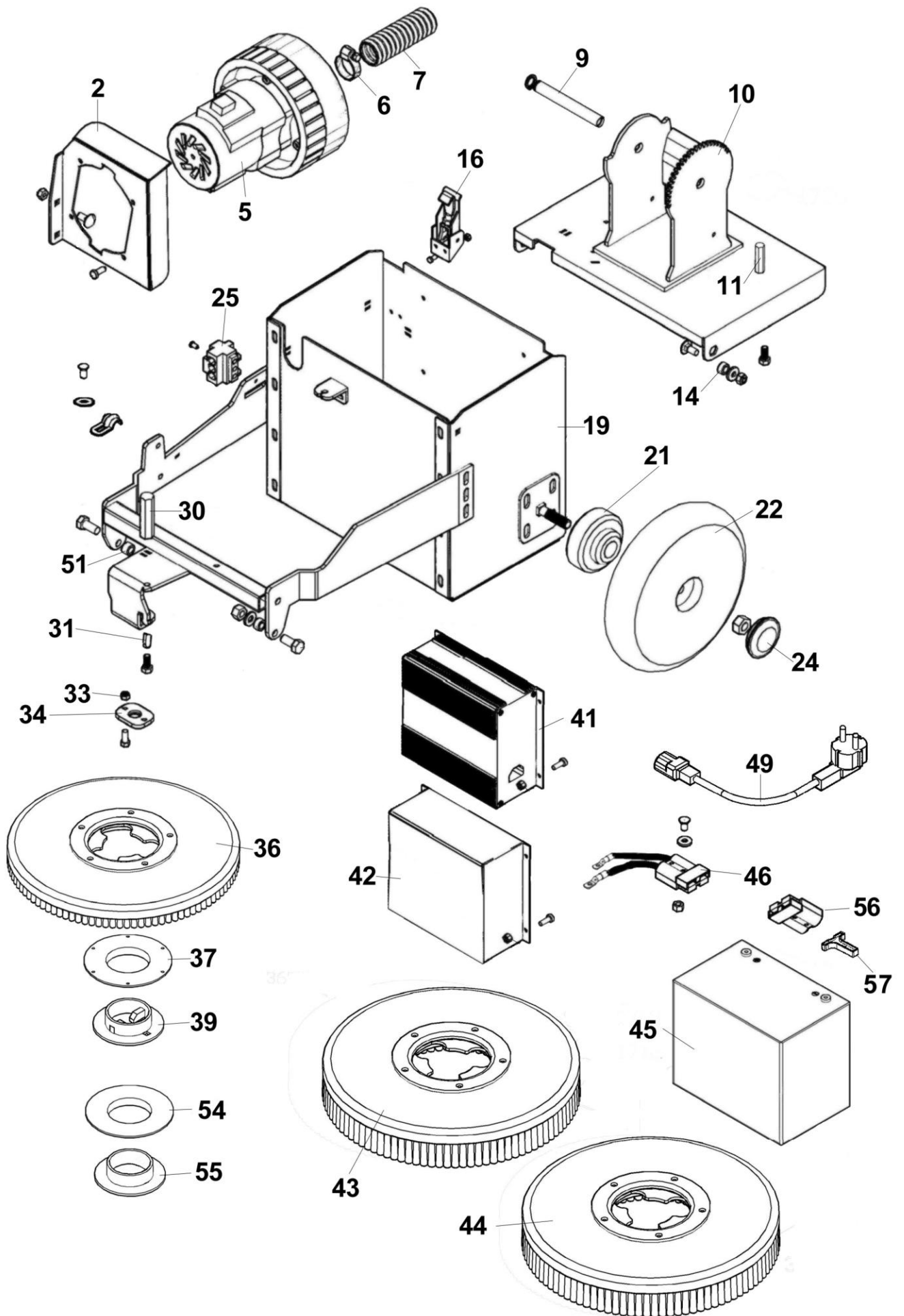
E36B - TAV.2

RIF.	COD.	E36B DESCRIZIONE TAV.2	E36B DESCRIPTION TAB.2	Q.TY
1	LR3790VE	SERBATOIO SOLUZIONE	SOLUTION TANK	1
2	LR3690	TAPPO SERBATOIO SOLUZIONE	SOLUTION TANK CAP	1
5	LR3755	VALVOLA SFERA M1/4" F1/8"	BALL VALVE M1/4" F1/8"	1
6	LR3763	PORTAGOMMA 1/8"	HOSE	1
7	LR3764	TUBO VALVOLA-FILTRO	VALVE-FILTER PIPE	2
8	LR1743	FASCETTE BIFILARI Ø 11,3	TIE WIRES Ø 11,3	2
9	LR3807	FILTRO T.V. TRASPARENTE	WINDSHIELD CLEAR FILTER	1
10	LR8072	RONDELLA PLASTICA Ø 8	PLASTIC WASHER Ø 8	1
11	LR1745	RONDELLA NYLON Ø 7x14	NYLON WASHER Ø 7X14	1
12	LR3765	INNESTO RAPIDO MASCHIO	FAST MALE JOINT	1
13	LR3791VE	SERBATOIO RECUPERO	RECOVERY TANK	1
14	510322	ADESIVO OVALE SERBATOIO EUREKA	OVAL TANK ADHESIVE EUREKA	1
15	LR3691	TAPPO SERBATOIO COMPLETO	COMPLETE TANK CAP	1
17	LR3719	SCATOLA GALLEGGIANTE INOX	BALLCOCK BOX STAINLESS STEEL	1
18	LR3780	DEFLETTORE ASPIRAZIONE INOX	SUCTION DEFLECTOR STAINLESS STEEL	1
20	LR3734	GALLEGGIANTE PALLA Ø 40	BALLCOCK Ø 40	1
21	LR3680	TUBO FLESSIBILE SCARICO	DRAIN HOSE	1
22	LR1708	FASCETTA A VITE 20/32	JUBILEE CLIP 20/32	1
23	LR6102	PROTEZIONE EPS VERDE	GREEN EPS PROTECTION	1
25	LR3746	APPOGGIO SERBATOIO INOX	TANK SUPPORT STAINLESS STEEL	1
26	LR0390/2	ADESIVO PLANCIA	PANEL ADHESIVE	1
27	LR3717	PLANCIA COMANDI	CONTROL PANEL	1
28	LR3792	ADESIVO GOMMA SPUGNA	FOAM RUBBER ADHESIVE	1
29	LR3769	INTERRUTTORE TERMICO K 700 35A	THERMAL SWITCH	1
30	660072	COPPIA DI CHIAVI CON CAPPUCCIO	COUPLE OF KEY HOOD	1
31	LR3688	IMPUGNATURA COMANDI	HANDLE CONTROLS	1
33	LR6114	INTERRUTTORE LUMINOSO	LIGHT SWITCH	3
35	720011	DADO BLOCK M.5 ZNT	BLOCK NUT M.5 GALVANIZED	4
37	LR3701	SUPPORTO POLO-MOLLA	POLE-SPRING SUPPORT	1
38	LR3716	SUPPORTO RELE-MICRO	RELAIS-MICRO SUPPORT	1
39	LR6227	MORSETTIERA UNIPOLARE 3 VIE	TERMINAL BOARD 3 VIE	1
41	LR3770	MICRO INTERRUTTORE 16 A 230V	MICRO SWITCH 16A 230V	1
44	LR3730	RELE' CON SUPPORTO 12V 40A	RELAIS WITH SUPPORT 12V 40A	2
45	LR3751	FUSIBILE UNIVAL 1 AMP	UNIVAL FUSE 1 AMP	1
46	LR3752	FUSIBILE UNIVAL 5 AMP	UNIVAL FUSE 5 AMP	1
47	LR3753	FUSIBILE UNIVAL 20 AMP	UNIVAL FUSE 20 AMP	1
48	LR6105	PORTAFUSIBILE 4 VIE	FUSE 4 VIE	1
52	660070	INTERRUTTORE CON CHIAVI 0-1	SWITCH 0-1 WITH KEY	1
53	LR3684	GUARNIZIONE TAPPO SERBATOIO	SOLUTION TANK GASKET	1
54	LR3787	MOLLA TAPPO	CAP SPRING	1
55	LR3806	RIDUZIONE	ADAPTOR	1
56	LR3804	TAPPO	CAP	1



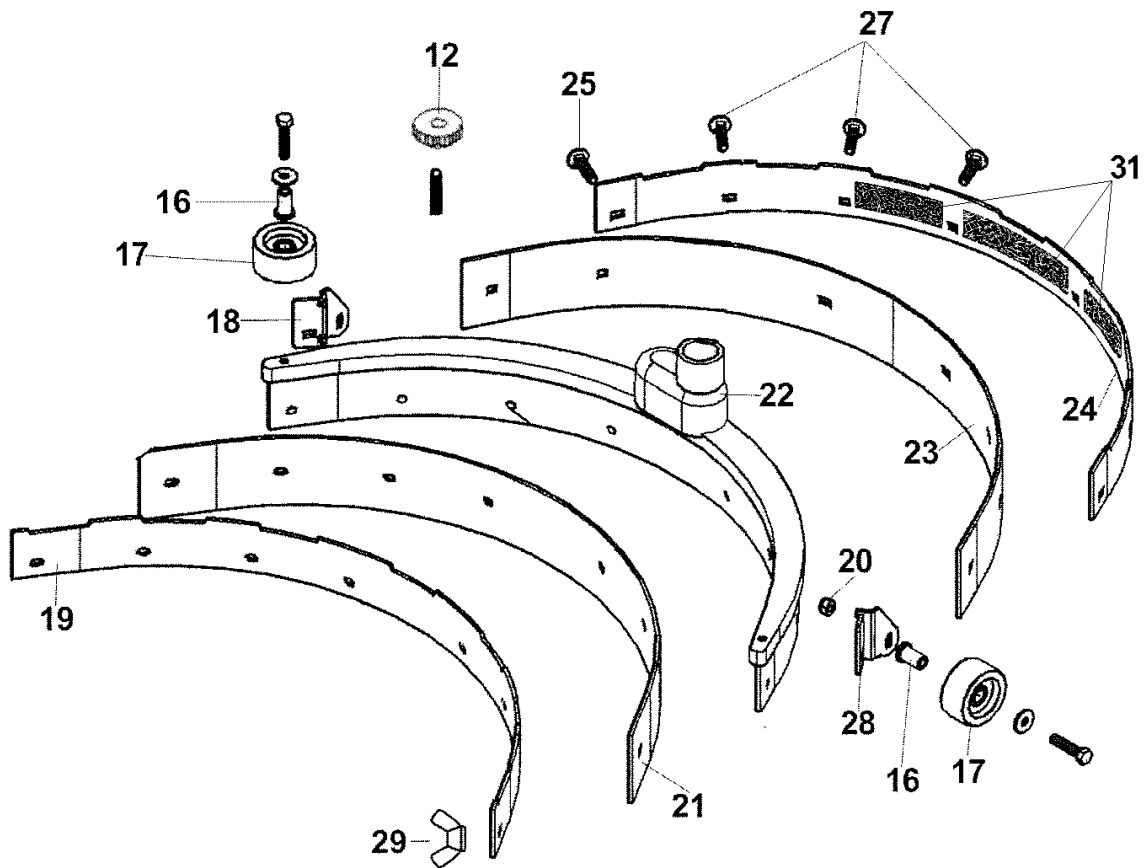
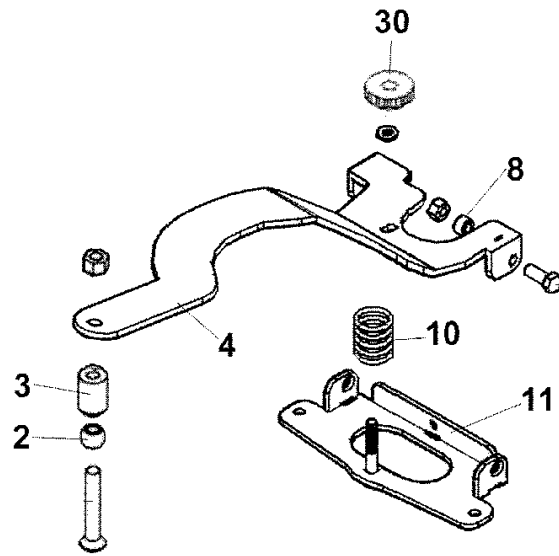
E36B - TAV.3

RIF.	COD.	E36B DESCRIZIONE TAV.3	E36B DESCRIPTION TAB.3	Q.TY
1	LR3699	SOSTEGNO MANICO	HANDLE SUPPORT	1
2	LR0432	ADESIVO VISIONE TERGIPAVIMENTO	SQUEEGEE VISIBLE ADHESIVE	1
3	LR0433	ADESIVO VISIONE ASPIRATORE	VAKUUM VISIBLE ADHESIVE	1
6	LR3677	PORTAGOMMA X TERGIPAVIMENTO	SQUEEGEE HOSE HOLDER	1
7	LR3678	PORTAGOMMA ASPIRATORE	VAKUUM HOSE HOLDER	1
8	LR3683	GUARNIZIONE INTERNO \varnothing 29	INTERNAL GASKET \varnothing 29	2
12	LR3721	CAVO TERGIPAVIMENTO COMPLETO	COMPLETE SQUEEGEE CABLE	1
14	LR3857	MOLLA A NASTRO PER LEVA	SPRING BAND FOR LEVER	1
16	LR3695	POMELLO PM3/36/FFC-M8	KNOB PM3/36/FFC-MB	2
17	LR3706	LEVA TERGIPAVIMENTO	SQUEEGEE LEVER	1
22	LR6102	PROTEZIONE EPS VERDE	GREEN EPS PROTECTION	1
23	LR3702	ECCENTRICO SERBATOIO RECUPERO	RECOVERY TANK ECCENTRIC CAM	1
25	LR3767	PERNO LEVA SERBATOIO RECUPERO	RECOVERY TANK LEVER PIN	1
26	LR3768	ESAGONO CH.10 PER SFERA ZNT	HEX CH. 10 FOR BALL GALVINIZED	1
27	LR1022	SFERA 3/16" \varnothing 4,7	BALL 3/16" \varnothing 4,7	1
28	LR3777	MOLLA FILO \varnothing 0.8 \varnothing 4.3 L.6 C.72	SPRING WIRE \varnothing 0.8 \varnothing 4.3 L.6 C.72	1
34	720011	DADO BLOCK M.5 ZNT	BLOCK NUT M.5 GALVINIZED	3
36	LR3689	MOLLA LEVE COMANDO	CONTROL LEVER SPRING	1
37	LR3707	LEVA COMANDO ARRESTO DX	RIGHT LEVER STOP	1
38	LR3708	LEVA COMANDO ARRESTO SX	LEFT LEVER STOP	1
40	LR3687	CARTER POSTERIORE MANICO	HANDLE BACK CASE	1
41	LR3775	VOLANTINO V1/30 BFP M6	KNOB V1/30 BFP M6	1
42	LR3703	LEVA COMANDO CRICCHETTO	RATCHET LEVER	1
43	LR3733	DISTANZIALE SERBATOIO RECUPERO	RECOVERY TANK SPACER	1
45	LR3727	MOLLA CRICCHETTO	RATCHET LEVER	1
46	LR3676	RACCORDO CURVO ASPIRATORE	VAKUUM ELBOW	1
47	LR3682	TUBO FLESSIBILE ASPIRATORE	VAKUUM FLEXIBLE TUBE	1
48	LR1708	FASCETTA A VITE 20/32 NORD M20 Z	JUBILEE CLIP 20/32 NORD M20 Z	3
49	LR3666	RACCORDO CURVO F-F 1"	ELBOW UNION F-F 1"	1
50	LR3679	PORTAGOMMA DRITTO 1" M	STRAIGHT HOSE HOLDER 1" M	1
51	LR3681	TUBO FLESSIBILE TERGIPAVIMENTO	SQUEEGEE FLEXIBLE TUBE	1
52	LR3704	COLLEGAMENTO LEVA-CRICCHETTO	LEVER-RATCHET CONNECTION	1
54	LR3705	CRICCHETTO DENTATO	TOOTHED RATCHET	1
56	LR3663	RULLINO CRICCHETTO ESAGONALE	HEX RATCHET ROLLER	2



E36B - TAV.4

RIF.	COD.	E36B DESCRIZIONE TAV.4	E36B DESCRIPTION TAB.4	Q.TY
2	LR3711	SUPPORTO ASPIRATORE	VAKUUM SUPPORT	1
5	LR3651	MOTORE ASPIRAZIONE 12V	VAKUUM MOTOR 12V	1
6	LR1708	FASCETTA A VITE 20/32 NORD M20 Z	JUBILEE CLIP 20/32 NORD M20 Z	1
7	LR3682	TUBO FLESSIBILE ASPIRATORE	VAKUUM FLEXIBLE TUBE	1
9	LR3715	PERNO ROTAZIONE MANICO Ø 12	HANDLE ROTATION PIN ø 12	1
10	LR3697	COPERCHIO BATTERIA	BATTERY COVER	1
11	LR3670	PERNO CENTRAGGIO SERBATOIO A/S	TANK CENTERING PIN A/S	1
14	LR3672	BOCCOLA PER COPERCHIO Ø 12x5.8	BUSH FOR COVER ø 12X5.8	3
16	LR3671	CHIUSURA A LEVA REGOLABILE	ADJUSTABLE TOGGLE LATCH	2
19	LR3696	TELAIO E VANO BATTERIE	BATTERY CHASSIS AND SPACE	1
21	LR3673	SUPPORTO RUOTA Ø 35x17 ZNT	WHEEL SUPPORT ø 35X17 GALVANIZED	2
22	LR3674	RUOTA D.200 2X2RS	WHEEL D.200 2X2RS	2
24	LR3674/2	COPRIMOZZO G-48 GRIGIO 7016	COVER G-48 GREY 7016	2
25	LR6227	MORSETTIERA UNIPOLARE 3 VIE	TERMINAL BOARD 3 VIE	1
30	LR3675	PERNO SERBATOIO SOLUZIONE	SOLUTION TANK PIN	1
31	LR6102	PROTEZIONE EPS VERDE	GREEN EPS PROTECTION	1
33	720011	DADO BLOCK M.5	BLOCK NUT M.5	2
34	LR3713	PIASTRINA SNODO TERGIPAVIMENTO	SQUEEGEE PIVOT PLATE	1
35	LR1738	VITE TE M.5x14 ZNT	HEX HEAD SCREW M.5X14 GALVANIZED	2
36	LR3654	DISCO TRASCINATORE C0-355L	PAD DRIVER CO-335L	1
37	LR3784	CENTER LOCK FEMMINA TRAS. NERO	FEMALE PAD DRIVER CENTER LOCK BLACK	1
39	LR3785	CENTER LOCK MASCHIO TRAS. NERO	MALE PAD DRIVER CENTER LOCK BLACK	1
41	LR3650	CARICA BATTERIE CBHD1-LBF 12V 8A	BATTERY CHARGER CBHD1-LBF 12V 8A	1
42	LR3772	CARTER CARICA BATTERIE	BATTERY CHARGER CASE	1
43	LR3657	SPAZZOLA PPL 0.45 OPTIONAL	PPL BRUSH 0.45 OPTIONAL	1
44	520105	SPAZZOLA TYNEX 1.2 OPTIONAL	TYNEX BRUSH 1.2 OPTIONAL	1
45	LR3647	BATTERIA 12V 80A AGM (ZGL12-80A)	BATTERY 12V 80A AGM (ZGL12-80A)	1
46	LR6251/1	CABLAGGIO BATTERIA COMPLETO	COMPLETE WIRING BATTERY	1
49	LR3650/1	CAVO CARICA BATTERIE EUROPEO	EUROPEAN BATTERY CHARGER CABLE	1
	LR3650/2	CAVO CARICA BATTERIE AMERICANO	AMERICAN BATTERY CHARGER CABLE	1
51	LR3664	BOCCOLA DX BASE MOTORE	RIGHT BUSH MOTOR BASIS	1
54	520103	CENTER LOCK FEMMINA TRAS. VERDE	FEMALE PAD DRIVER CENTER LOCK GREEN	1
55	520104	CENTER LOCK MASCHIO TRAS. VERDE	MALE PAD DRIVER CENTER LOCK GREEN	1
56	640140	CONNETTORE SR50R PER CAVO16mm²	SR50R C16mm² CONNECTOR	1
57	640103	MANIGLIA PER CONNETTORE SR50R	SR50R CONNECTOR HANDLE	1



E36B - TAV.5

RIF.	COD.	E36B DESCRIZIONE TAV.5	E36B DESCRIPTION TAB.5	Q.TY
2	LR3685	SNODO TERGIPAVIMENTO Ø 14.8x10	SQUEEGEE JOINT ø 14.8X10	1
3	LR3776	DISTANZIALE SNODO ZNT	JOINT SPACER GALVANIZED	1
4	LR3710	TIMONE TERGIPAVIMENTO	SQUEEGEE RUDDER	1
8	LR3668	BOCCOLA TERGIPAVIMENTO	SQUEEGEE BUSH	2
10	LR3725	MOLLA TERGIPAVIMENTO	SQUEEGEE SPRING	1
11	LR3709	STAFFA TERGIPAVIMENTO	SQUEEGEE CLAMP	1
12	LR3775	VOLANTINO V1/30 BFP M6	HANDWHEEL V1/30 BFP M6	2
16	LR3735	BOCCOLAPER RUOTA	BUSH FOR WHEEL	4
17	LR3736	RUOTA Ø 38/40 PLASTICA	WHEEL ø 38/40 PLASTIC	4
18	LR3737	SUPPORTO DX RUOTA INOX	RIGHT WHEEL SUPPORT STAINLESS STEEL	1
19	LR3740	FASCIA ANTERIORE TERGIPAV. INOX	SQUEEGEE FRONT BAND STAINLESS STEEL	1
20	720011	DADO BLOCK M.5 ZNT	BLOCK NUT M.5 GALVANIZED	2
21	380015	GOMMA ANTERIORE TERGIP. IN PARA	SQUEEGEE FRONT RUBBER PARA	1
	380018	GOMMA ANT. TERGIPAV. POLIURETANO	SQUEEGEE FRONT RUBBER POLIURETAN	
22	LR3745	CORPO TERGIPAVIMENTO ALLUMINIO	SQUEEGEE ALUMINIUM BODY	1
23	380014	GOMMA POST. TERGIPAV. IN LINATEX	SQUEEGEE BACK RUBBER LINATEX	1
	380017	GOMMA POST. TERGIPAV. POLIURET.	SQUEEGEE BACK RUBBER POLIURETAN	
24	LR3739	FASCIA POSTERIORE TERGIPAV. INOX	SQUEEGEE BACK BAND STAINLESS STEEL	1
25	LR1760	VITE T/T Q.S.T. M.5x20 INOX	ROUND HEAD SCREW SQUARE UNDERHEAD M5X20 INOX	2
27	LR1762	VITE T/T Q.S.T. M.5x30 INOX	ROUND HEAD SCREW SQUARE UNDERHEAD M5X30 INOX	6
28	LR3738	SUPPORTO SX RUOTA INOX	LEFT WHEEL SUPPORT STAINLESS STEEL	1
29	LR1754	DADO CON ALETTE M5 INOX	WING NUT M5 INOX	8
30	LR3794	VOLANTINO D.20 M6	HANDWHEEL V1/20 BFP M6	1
31	M30175	ABRASIVO FASCIA POST. TERGIPAVIM.	ABRASIVE FOR SQUEEGEE BACK BAND	24cm

LISTE RICAMBI CONSIGLIATI E36B
RECOMMENDED SPARE PARTS LIST - EMPFOHLENE ERSATZTEILE LISTE
LISTE DE PIÈCES RECOMMANDÉES - LISTA DE PIEZAS ACONSEJADAS

LISTA A (MATERIALI DI CONSUMO)
 LIST A (WEARABLE MATERIAL)
 LISTE A (ABNUTZUNGSMATERIAL)
 LISTE A (MATERIELLES DE CONSOMMATION)
 LISTA A (MATERIALES DE CONSUMO)

CODICE N° PART. NO. CODE NR.	QUANTITÀ QUANTITY Anzahl	DESCRIZIONE	DESCRIPTION
LR3651	1	MOTORE 12V ASPIRAZIONE	VACUUM MOTOR 12V
LR3653	1	SPAZZOLA LAVARE C0 355L 0.65 STANDARD	CO 355L 0.65 BRUSH DISC STANDARD
LR3654	1	DISCO TRASCINATORE CO-355L 1,0 F5Z	CO-355L 1 F5Z PAD HOLDER DISC
LR3658	1	CINGHIA POLI PV 790-J-6	POLY PV 790-J-6 BELT
LR3680	1	TUBO FLESS.SCARICO D.25MM L.500	D.25 L.500 UNLOAD FLEXIBLE PIPE
LR3681	1	TUBO FLESS.TERGI D.25 L.750	D.25 L.750 WIPER FLEXIBLE PIPE
LR3682	1	TUBO FLESS D.28 X ASPIRATORE L.7	D.25 L.700 ASPIRATOR FLEXIBLE PIPE
LR3683	2	GUARN.GOMMA SPUGNA AD.D.INT.29 D	AD D.29 SPONGE RUBBER GASKET
LR3692	1	ELETTROVALVOLA 12v	SOLENOID 12V
LR3721	1	CAVO SOLL.TERGI COMPLETO	WIPER LIFTING CABLE
LR3730	2	RELE CON SUPP.12V 30A	12V30A RELAIS WITH SUPPORT
LR6114	2	INTERR. BIP. LUM.	BRIGHT SWITCH
380014	1	GOMMA TERGI POST. IN LINATEX	LINATEX POSTERIOR WIPER RUBBER
380015	1	GOMMA TERGI ANT. IN PARA	PARA ANTERIOR WIPER RUBBER
380017	1	GOMMA TERGI POST. POLIURETANO	POLIURETAN POST. WIPER RUBBER
380018	1	GOMMA TERGI ANT. POLIURETANO	POLIURETAN ANT. WIPER RUBBER
LR3751	2	FUSIBILE UNIVAL 2 AMP	UNIVAL 2A FUSE
LR3752	2	FUSIBILE UNIVAL 5 AMP	UNIVAL 5A FUSE
LR3753	2	FUSIBILE UNIVAL 20 AMP	UNIVAL 20A FUSE
LR3807	1	FILTRO T.V.TRASPARENTE	WINDSHIELD CLEAR FILTER
LR3765	2	INNESTO RAPIDO MASCHIO	FAST MALE JOINT
LR3766	2	INNESTO RAPIDO FEMMINA	FAST FEMALE JOINT
660070	1	INTERUTTORE CON CHIAVI 0-1 ESTRAZI	KEY SWITCH 0-1
640140	2	CONNETT.ROSSO SR50R X CAV.16 MM2	SR50R C16MM2 RED CONNECTOR

LISTA B (MATERIALI PER INTERVENTI ORDINARI)
 LIST B (MATERIAL FOR ORDINARY MAINTENANCE)
 LISTE B (MATERIAL FÜR ORDENTLICHE WARTUNG)
 LISTE B (MATERIELLES POUR OPERATIONS ORDINAIRES)
 LISTA B (MATERIALES PARA OPERACIONES ORDINARIAS)

CODICE N° PART. NO. CODE NR.	QUANTITÀ QUANTITY Anzahl	DESCRIZIONE	DESCRIPTION
LR1708	1	FASCETTA A VITE 20/32 NORD M20 Z	20/32 NORD M20 Z JUBILEE CLIP
LR3650	1	CARICA BATT.CBHD1-LBF 12V 8A X L	CBHD1-LBF 12V 8A BATTERY CHARGER
LR3671	2	CHIUSURA A LEVA REGOLAB NICH SEN	ADJUSTABLE CLOSING LEVER
LR3674	2	RUOTA D.200 BOX 2 FORO 10 2X2RS	D.200 BOX F10 2X2RS WHEEL
LR3687	1	CARTER POST.COPERT.MANICO NERO G	POSTERIOR HANDLE BLACK CARTER
LR3690	1	COPERCHIO FIL.SERB.SOLUZIONE A/P	SOLUTION TANK COVER
LR3691	1	COPERCHIO SERB. RECUPERO A/S	RECOVERY TANK COVER
LR3736	2	RUOTA D.38/40 PLASTICA	D.38/40 PLASTIC WHEEL
LR3755	1	VALV.SFERA 1/4 M 1/8 F 40101800G	1/4 M 1/8 F 40101800G SPHERE VALVE
LR3769	1	INTERRUT.TERM.K 700 35A	K700 35A THERMAL INTERRUPTER
LR3770	1	MICRO INTERRUTTORE 16A 230V	16A 230V MICRO INTERRUPTER
LR3784	2	CORPO FILETT. FEMMINA PER TRAS.NERO	PAD HOLDER DISC FEMALE BODY HANDLE BLACK
LR3785	2	CORPO FILETT. MASCHIO PER TRAS.NERO	PAD HOLDER DISC MALE BODY BLACK
520103	1	CORPO FILETT. FEMMINA PER TRAS.VERDE	PAD HOLDER DISC FEMALE BODY HANDLE GREEN
520104	1	CORPO FILETT. MASCHIO PER TRAS.VERDE	PAD HOLDER DISC MALE BODY GREEN

DATA ULTIMO AGGIORNAMENTO: 28/02/11
DATE OF THE LAST UPDATE: 28/02/11