



IPC

Spare parts list

Ref: ASDO10146

Cust.ref: 515/12

Model:

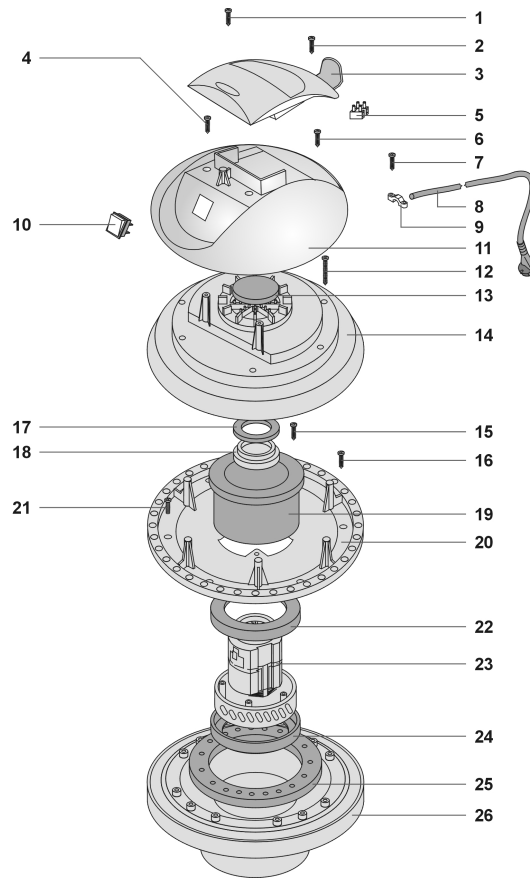
Cust.model: FOMA 174405



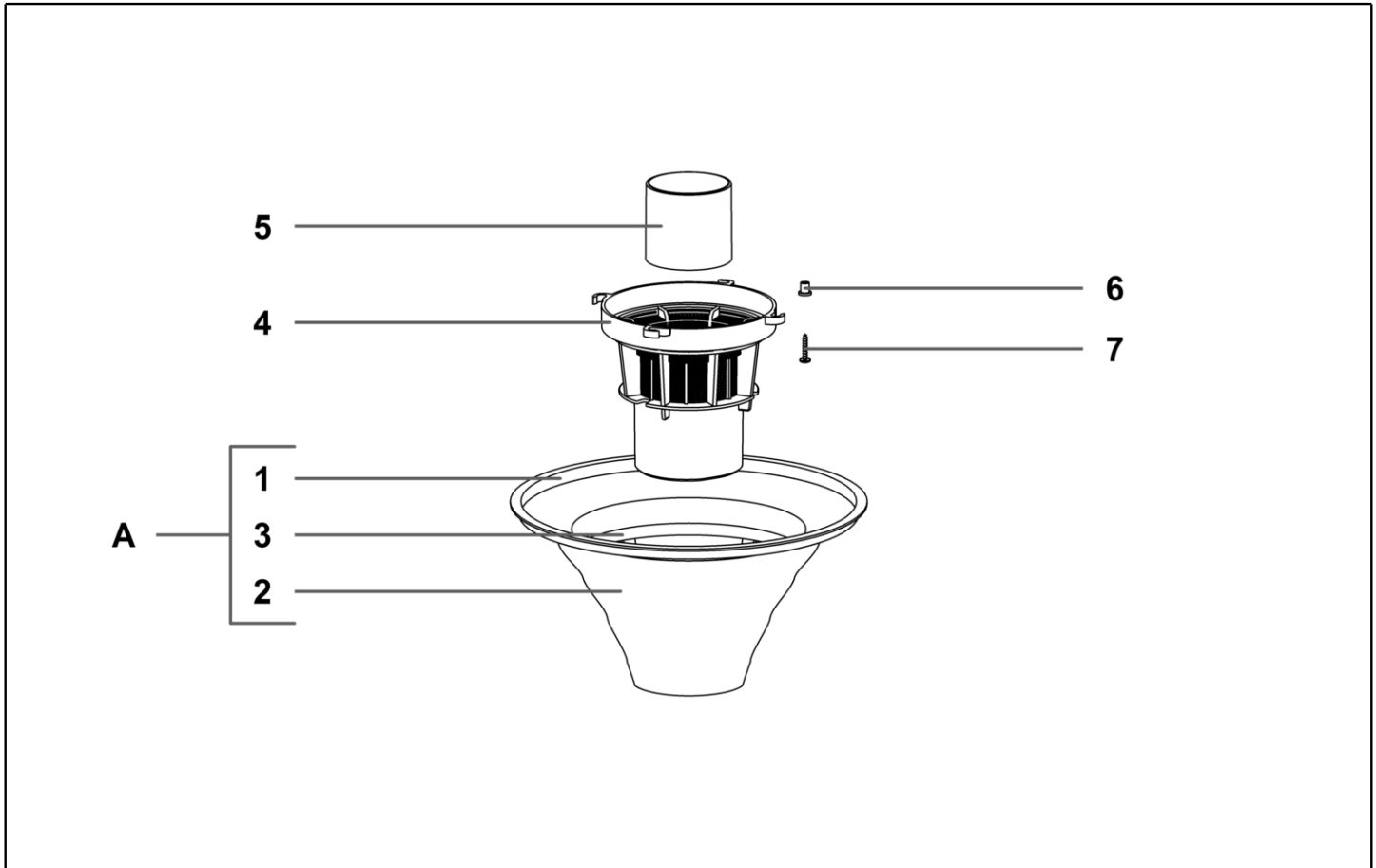
IPC Integrated Professional Cleaning

IPC Soteco

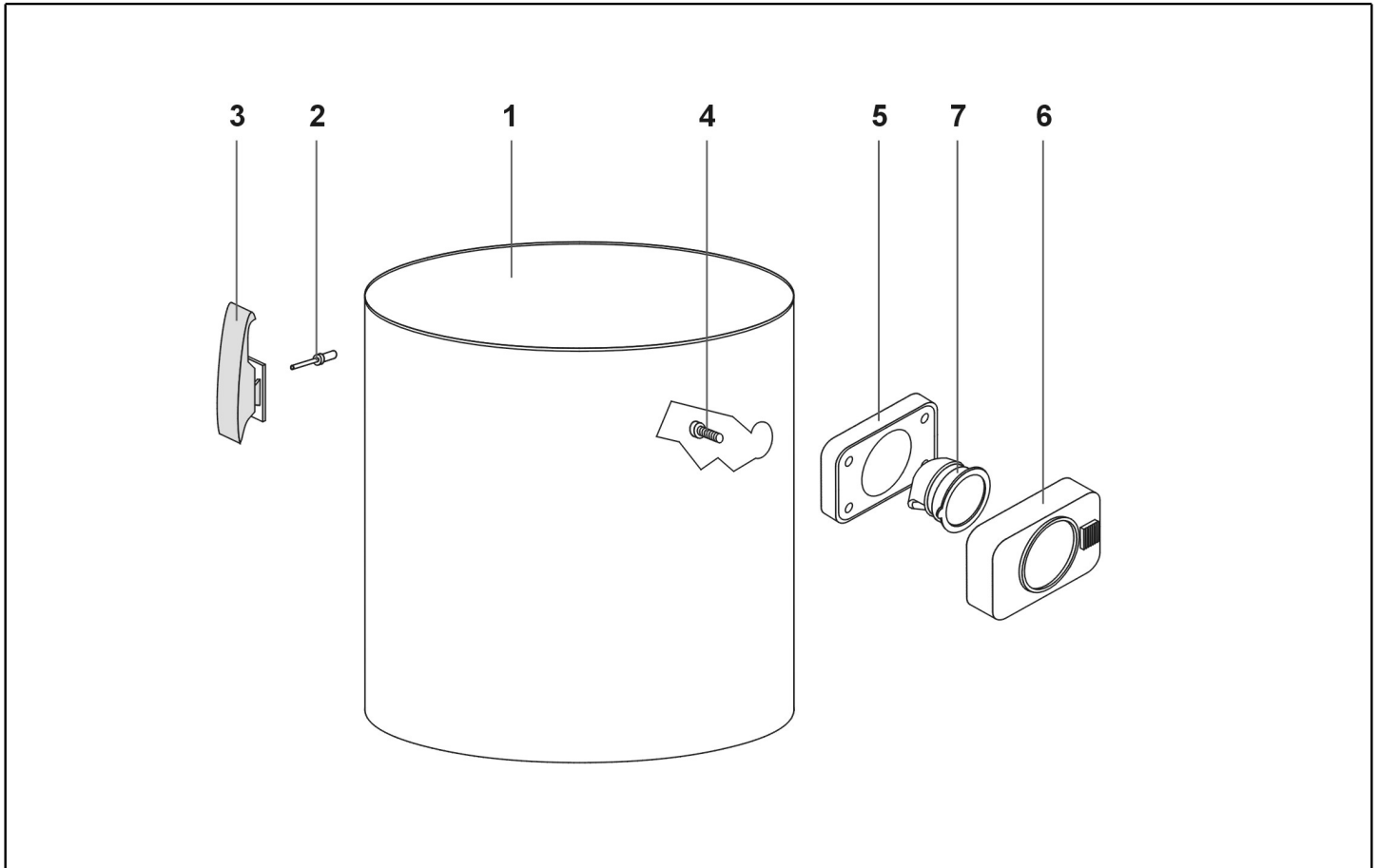
Ref. K	Part n.	Part n. 2	Description	Quantity	Validity		Price
					From	To	
0001	PMTA07958		HEAD YES HP GRE/G6 215/515 W/P	1,00			--
0002	KTRI04435		FILTERING KIT YES SANIFIC. COMPL.	1,00			--
0003	PMFU00964			1,00			--
0004	CARR01578		TROLLEY 200/500 QUADRO NERO	1,00			--
0005	PMDT00592		KIT ACCESS. 38 NEW	1,00			--



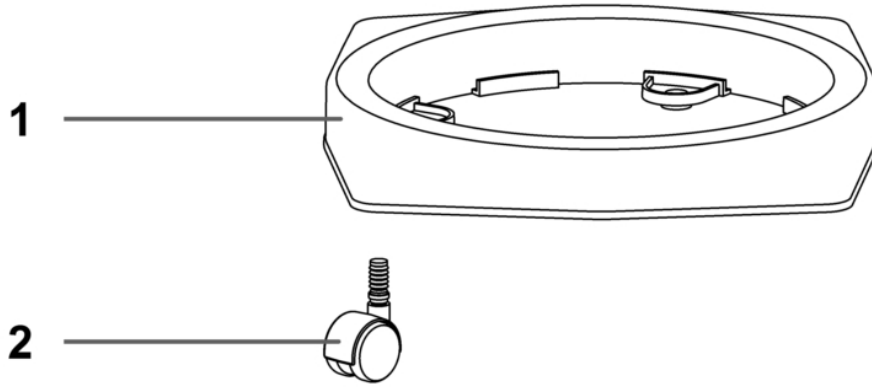
Ref. K	Part n.	Part n. 2	Description	Quantity	Validity		Price
					From	To	
*	MECB01821		WIRING 40CM MOTOR-TP 1200	1,00			--
*	MECB35712		WIRE WITH RESISTANCE	1,00			--
*	FSVR00127		CLAMP	1,00			--
0001	VTVT71961		SCREW PFU TMT PHL 5X20 ZN NERA	1,00			--
0002	VTVT71961		SCREW PFU TMT PHL 5X20 ZN NERA	1,00			--
0003	MPVR09823		HANDLE YES IPC GREEN	1,00			--
0004	VTVT71961		SCREW PFU TMT PHL 5X20 ZN NERA	2,00			--
0005	MECB01161		TERMINAL BOARD 300-500 2P RAD	1,00			--
0006	VTVT71961		SCREW PFU TMT PHL 5X20 ZN NERA	2,00			--
0007	VTVT71961		SCREW PFU TMT PHL 5X20 ZN NERA	2,00			--
0008	MECB28672		ELECTRIC CORD 2X1 MT.8,5	1,00			--
0009	MPVR28690		CABLE CLAMP	1,00			--
0010	MECI72195		ANTISPLASH SWITCH	1,00			--
0011	MPVR89133		COVER YES HP GR6000	1,00			--
0012	VTVT71971		SCREW PAT TMT PHL 5X35 BLACK	6,00			--
0013	FTDP38064		FILTER MTP/65 H=15 D.95	1,00			--
0014	MPVR09932		COVERING YES VE-IPC	1,00			--
0015	VTVT72055		SCREW PFU TMT PHL 5X25 ZN BLACK	4,00			--
0016	VTVT71961		SCREW PFU TMT PHL 5X20 ZN NERA	6,00			--
0017	MPVR38371		WASHER H8 D85X65	1,00			--
0018	MPVR86282		RING MOTORE H=7 (15) PLAST.	1,00			--
0019	FTDP38066		FILTER PHONO H=75	1,00			--
0020	MPVR09964		MOTOR SUPPORT YES IPC GREEN	1,00			--
0021	VTVT01041		SCREW TC CROSS M 5X15 UNI 7687	1,00			--
0022	GUGO28683		"L" GASKET W/O HOLES H=5,5	1,00			--
0023	MOMO40006		MOT.BS282 1200W 220-240 50/60 MONO	1,00			--
0024	GUVR00397		"L" GASKET S/F H=16	1,00			--
0025	FTDP38067		WASHER MTP 65MM 18D 230X145	1,00			--
0026	PMBA00270		BASE 500 MONO.W/GAS+PLA.GR6000	1,00		22/11/2020	--
0026	PMBA00273		BASE 500 MONO W/GASK+PLAT	1,00	23/11/2020		--



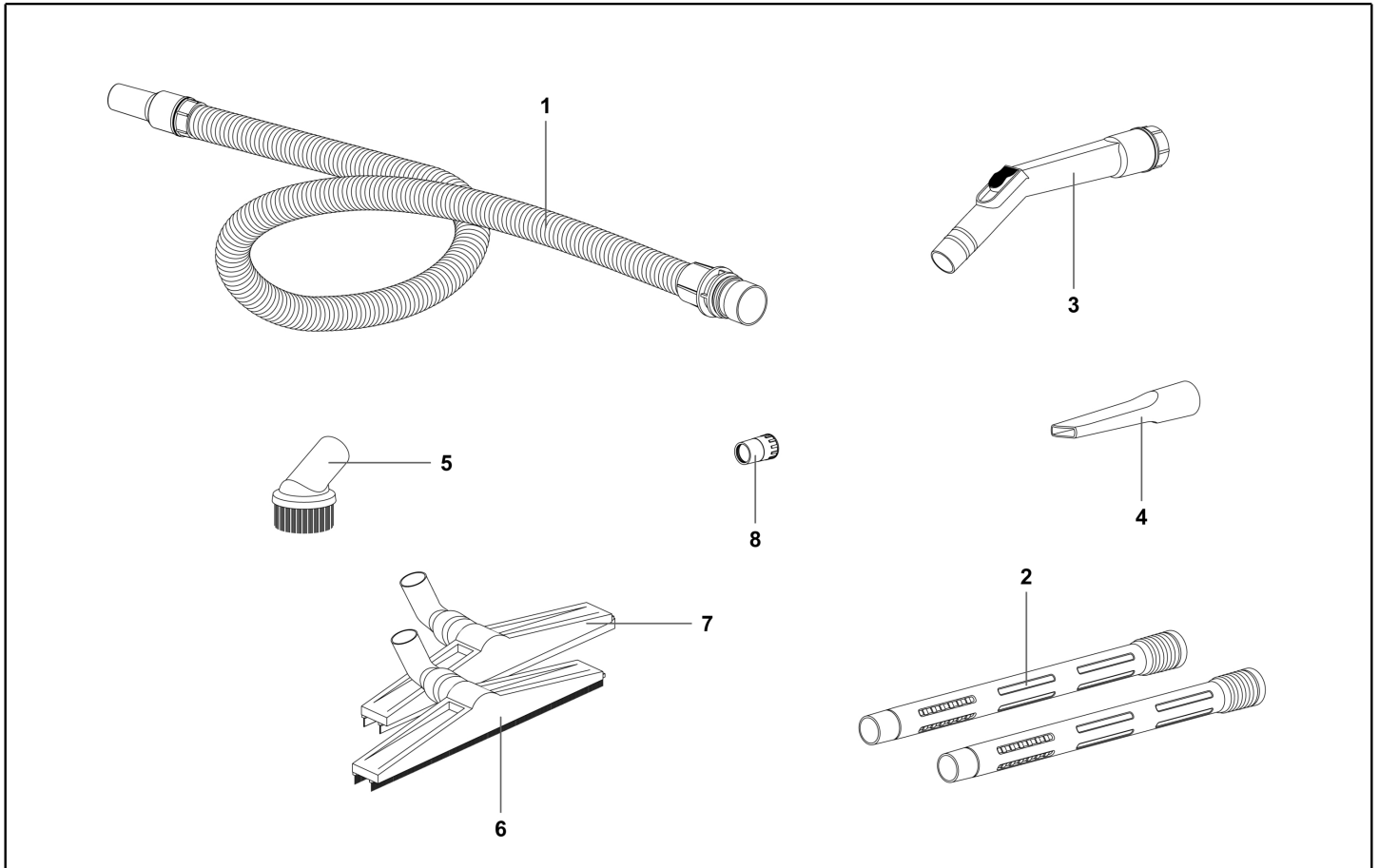
Ref. K	Part n.	Part n. 2	Description	Quantity	Validity		Price
					From	To	
A	KTRI02133		KIT RING+FILT+BASK 500 CONIC. SAN	1,00			--
0001	MPVR36522		FILTER RING 500	1,00			--
0002	FTDP00547		FILTER POLY AN3-500 CON REG H180	1,00			--
0003	MPVR35490		LOWER CONICAL BASKET 300	1,00			--
0004	MPVR40521		NET ANTIFOAM BODY HIGH	1,00			--
0005	RCGR40008		HIGH FLOAT 99 W/GASKET 37 SHA	1,00			--
0006	MPVR35796		BUSHING PLASTIC SLEEVE D.8	4,00			--
0007	VTVT36751		SCREW SCREW PAT TMT PHL 5X25	4,00			--



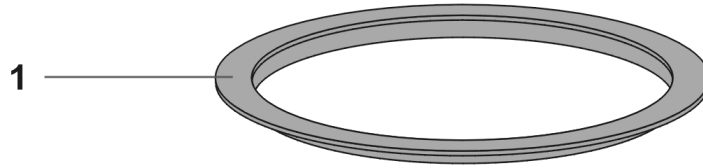
Ref. K	Part n.	Part n. 2	Description	Quantity	Validity		Price
					From	To	
0001	LAFN07891		TANK CONDOR ISSA AISI 430	1,00			--
0002	VTVR71991		RIVET 5X11	4,00			--
0003	CHVR28735		COMPLETE PLASTIC HOOK BLACK	2,00	23/01/2018		--
0004	VTVT71966		SCREW PAT TMT PHL 5X30 BLACK	4,00			--
0005	GUGO28736		GASKET R 205 BLACK	1,00	21/02/2018		--
0006	MPVR12026		COMPLETE INLET 99/60 BLACK	1,00	21/02/2018		--
0007	MPVR42004		DEFLECTOR 99/60	1,00			--



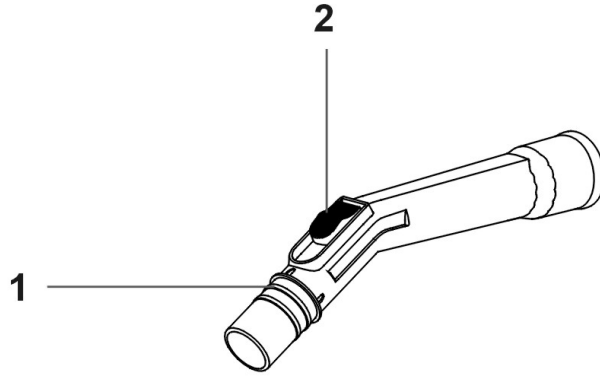
Ref. K	Part n.	Part n. 2	Description	Quantity	Validity		Price
					From	To	
0001	MPVR07925		TROLLEY BODY QUADRO NERO	1,00			--
0002	RTRT42006		TROLLEY BOX WHEEL	4,00			--



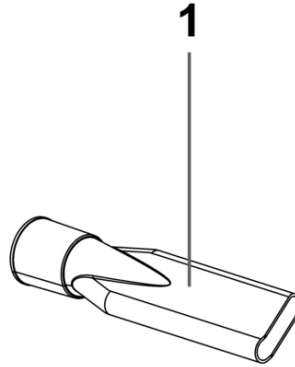
Ref. K	Part n.	Part n. 2	Description	Quantity	Validity		Price
					From	To	
0001	TBFX37775		COMPL.FLEX HOSE 38/99 MT.4,5	1,00			--
0002	LAFN43048		EXTENSION FOR VACUUM CLEANER	2,00			--
0003	MPVR43047		EXTENSION CURVED EXTENSION	1,00			--
0004	SPPV00156		FLAT LANCE D.38	1,00			--
0005	SPPV43052		ROUND TOOL D.38	1,00			--
0006	SPPV43050		BRISTLES BRUSH D.40	1,00			--
0007	SPPV43051		CURVED WET TOOL 400 D.38	1,00			--
0008	MPVR43049		PVC ADAPTOR D.38	1,00			--



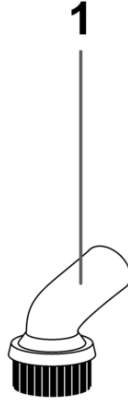
Ref. K	Part n.	Part n. 2	Description	Quantity	Validity		Price
					From	To	
0001	MPVR36522		FILTER RING 500	1,00			--
0001	MPVR36522		FILTER RING 500	1,00			--



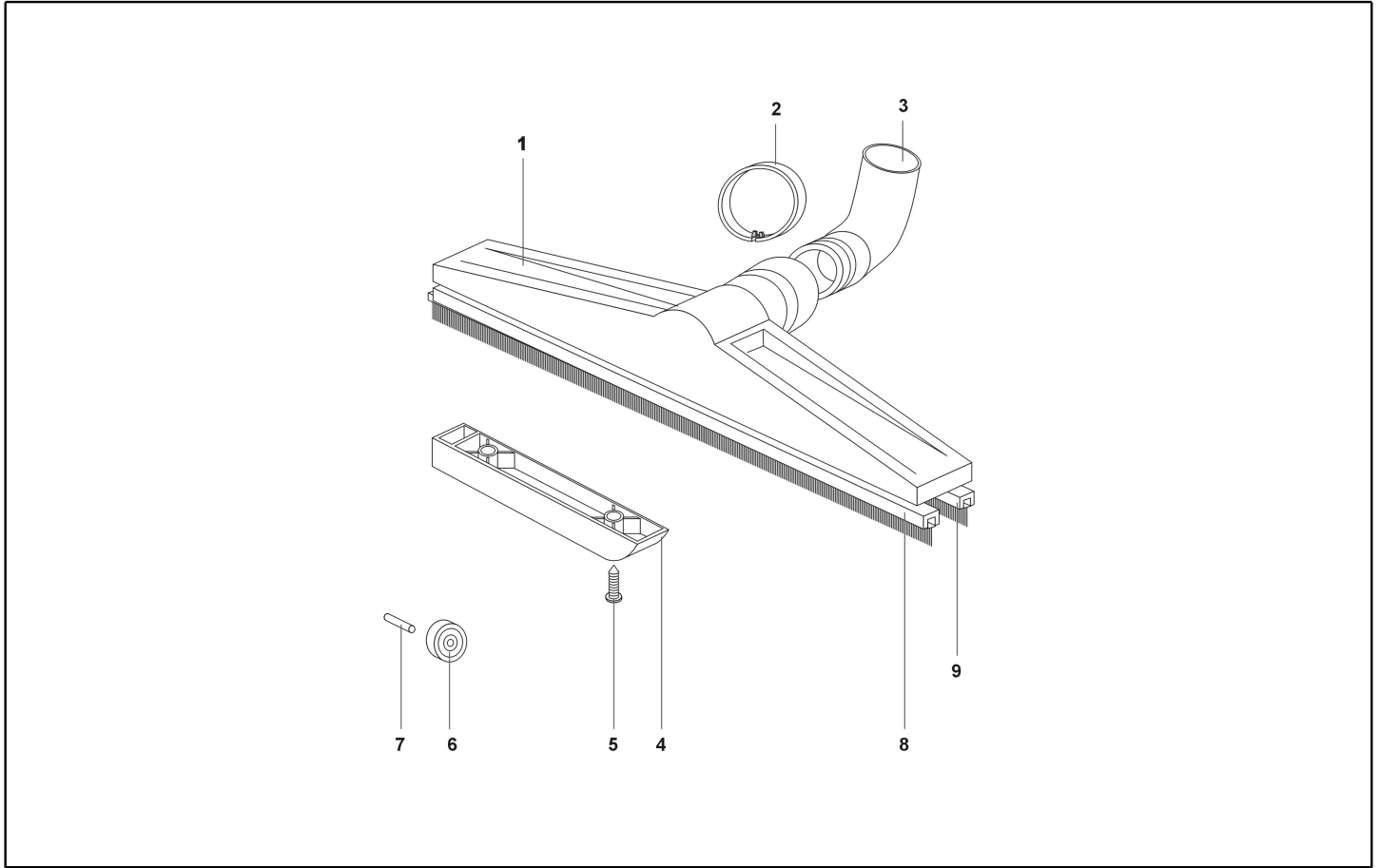
Ref. K	Part n.	Part n. 2	Description	Quantity	Validity		Price
					From	To	
0001	MPVR10505		CURVE PLAST DIA 38	1,00			--
0002	MPVR06762		PUSH BUTTON AIR REGULATION G5	1,00			--



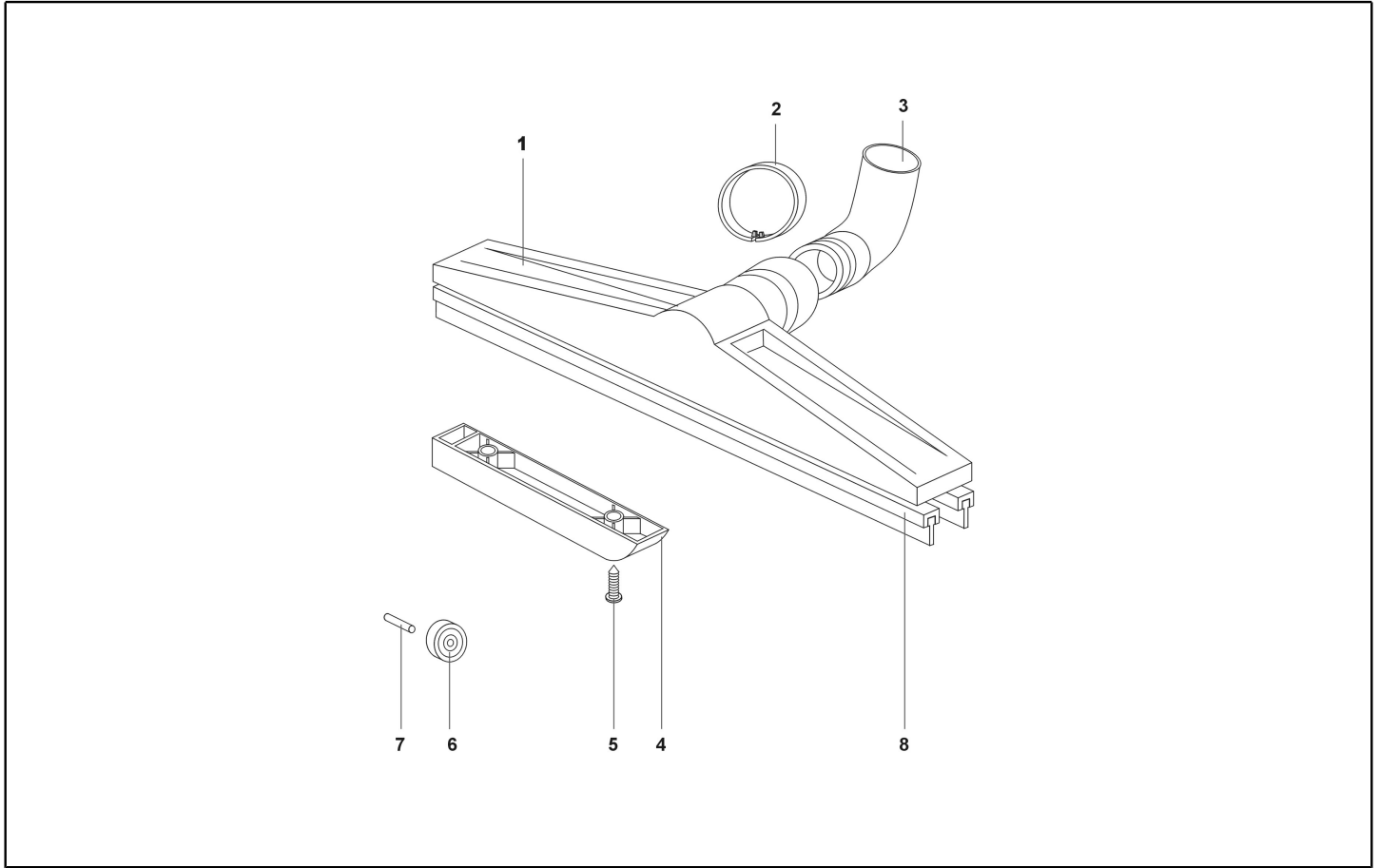
Ref. K	Part n.	Part n. 2	Description	Quantity	Validity		Price
					From	To	
0001	SPPV00156		FLAT LANCE D.38	2,00			--
0001	SPPV00156		FLAT LANCE D.38	2,00			--



Ref. K	Part n.	Part n. 2	Description	Quantity	Validity		Price
					From	To	
0001	SPPV43052		ROUND TOOL D.38	1,00			--
0001	SPPV43052		ROUND TOOL D.38	1,00			--



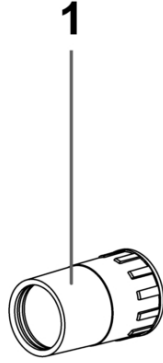
Ref. K	Part n.	Part n. 2	Description	Quantity	Validity		Price
					From	To	
0001	MPVR06726		BRUSH BODY 400	1,00			--
0002	MPVR49176		ELASTIC RING NUT BRUSH 400	1,00			--
0003	MPVR02289		BRUSH 400 ELBOW CLUTCH D.38	1,00			--
0004	MPVR06728		WHEEL HOLDER SUPPORT BRUSH 400	2,00			--
0005	VTVT01193		SCREW PAT TMT PHL 5X15 ZN BLACK	4,00			--
0006	RTRT87117		WHEEL D.25 BRUSH 300/400	2,00			--
0007	LAFN86068		PIVOT 5 X 17,5 ZN	2,00			--
0008	SPPV76601		STRIP L=395	1,00			--
0009	SPPV76599		GUIDE LIST W/STRIP L=395	1,00			--



Ref. K	Part n.	Part n. 2	Description	Quantity	Validity		Price
					From	To	
0001	MPVR06726		BRUSH BODY 400	1,00			--
0002	MPVR49176		ELASTIC RING NUT BRUSH 400	1,00			--
0003	MPVR02289		BRUSH 400 ELBOW CLUTCH D.38	1,00			--
0004	MPVR06728		WHEEL HOLDER SUPPORT BRUSH 400	2,00			--
0005	VTVT01193		SCREW PAT TMT PHL 5X15 ZN BLACK	4,00			--
0006	RTRT87117		WHEEL D.25 BRUSH 300/400	2,00			--
0007	LAFN86068		PIVOT 5 X 17,5 ZN	2,00			--
0008	MPVR38641		GUIDE LIST W/WET L=395	2,00			--



Ref. K	Part n.	Part n. 2	Description	Quantity	Validity		Price
					From	To	
0001	VTVT36751		SCREW SCREW PAT TMT PHL 5X25	1,00			--
0001	VTVT36751		SCREW SCREW PAT TMT PHL 5X25	1,00			--



Ref. K	Part n.	Part n. 2	Description	Quantity	Validity		Price
					From	To	
0001	MPVR43049		PVC ADAPTOR D.38	1,00			--
0001	MPVR43049		PVC ADAPTOR D.38	1,00			--