

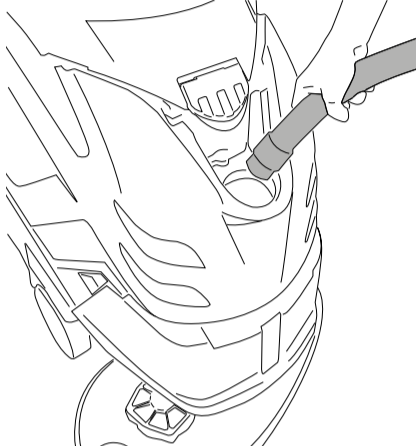
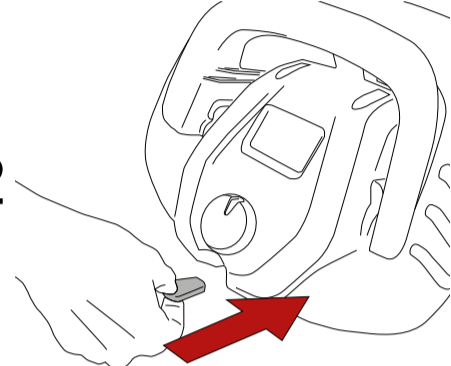
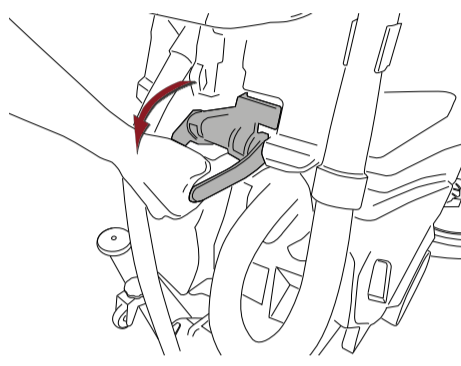





CT51-71 R Quick guide

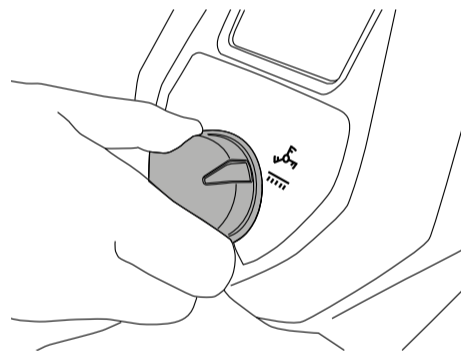
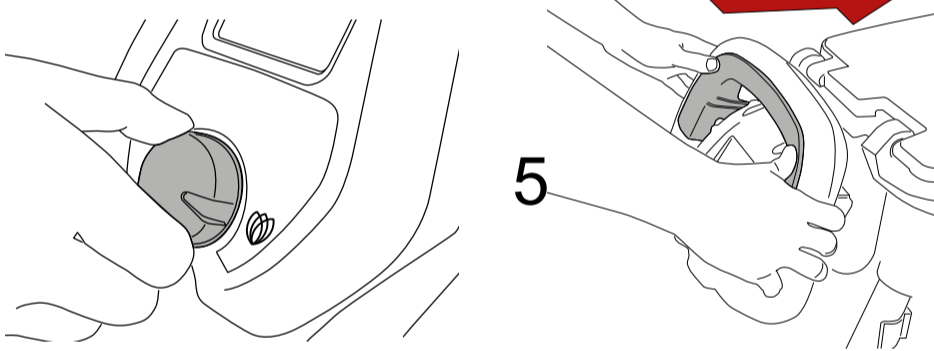







This guide is intended for quick consultation only and does not replace the user and maintenance manual. Before using the machine, read the user and maintenance manual contained in the machine's packaging thoroughly and strictly follow all the instructions.

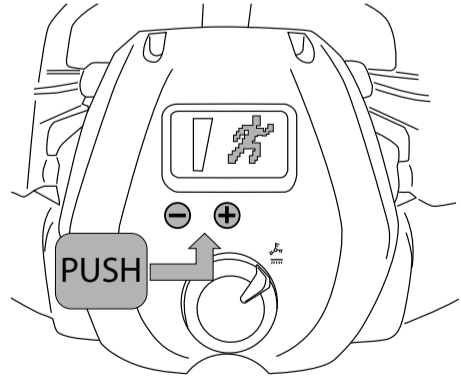
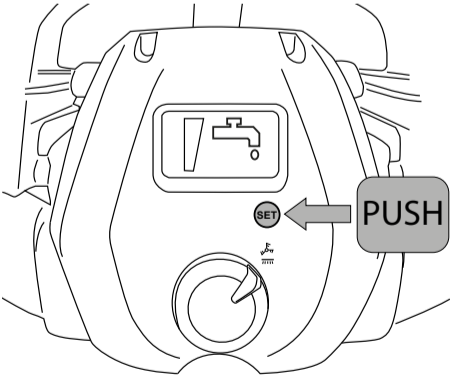
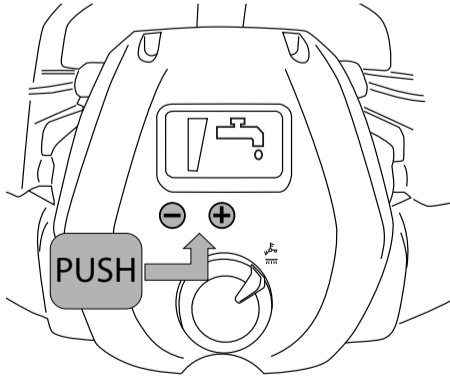
PREPARATION & OPERATION

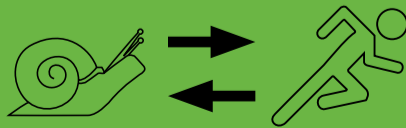


1  2  3 

 |  | 

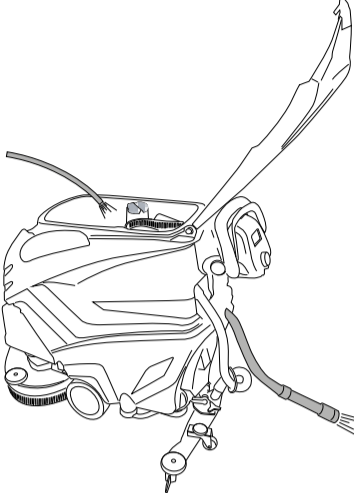
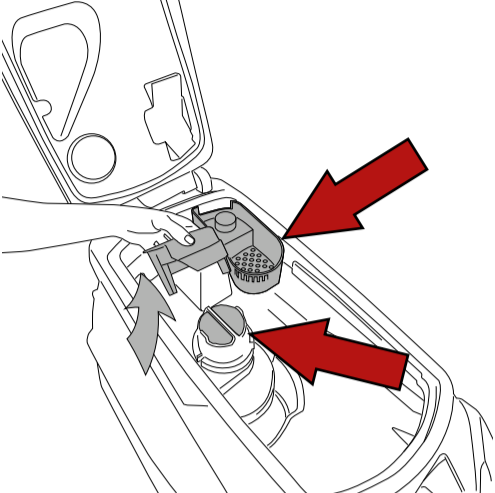
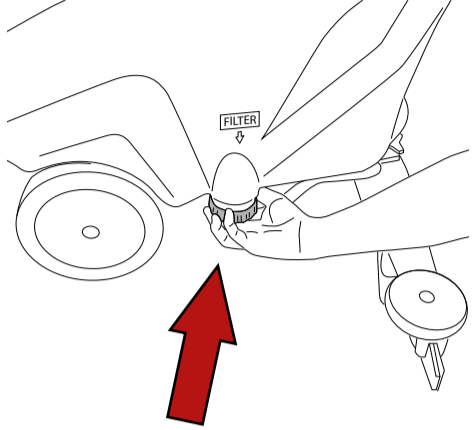

4  5  6 

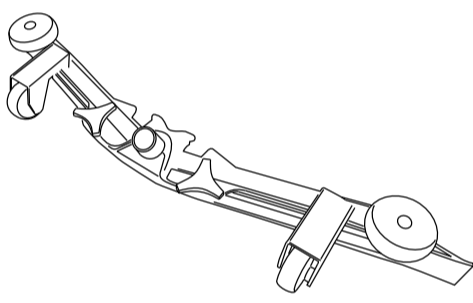
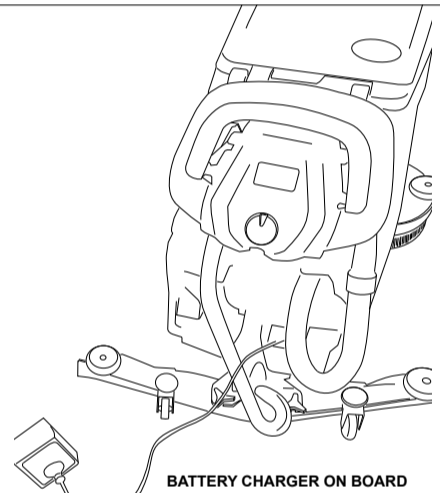
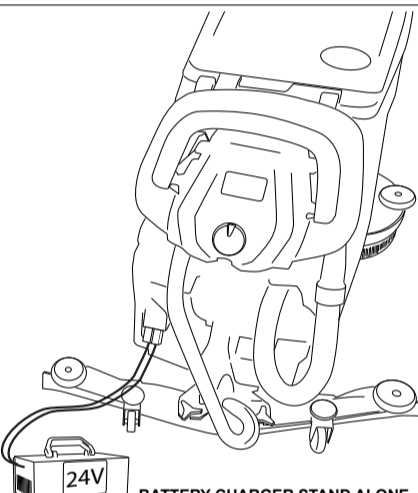
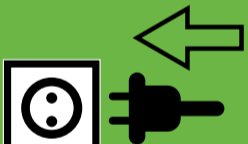
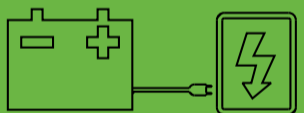
 |  |  | 

7  8  

 |  | 

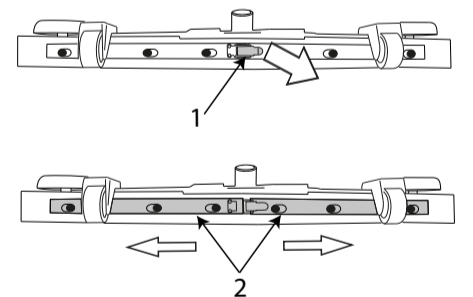
DAILY MAINTENANCE

			
<p>Clean the dirty water tank.</p>	<p>Check that the suction filter and dirt filter are clean.</p>	<p>Check that the detergent outlet filter is clean.</p>	<p>Check that the brushes are clean. Replace if necessary.</p>

	 <p>BATTERY CHARGER ON BOARD</p>	 <p>24V BATTERY CHARGER STAND ALONE</p>
<p>Check that the squeegee is clean and the blades are not worn.</p>		

REPLACING THE SQUEEGEE BLADES

Open the clip (Ref. 1).
 Remove the two blade retainers (Ref. 2) by pushing them outwards then extracting them.
 Remove the blade.
 Reuse the same blade by reversing the edge in contact with the floor until all four edges are worn out, or replace with a new blade, fitting it onto the screws on the body of the squeegee.
 Reposition the two blade pressing devices by centering the wider part of the slots on the squeegee body fastening pins, then push the blade pressing devices inwards.
 Close the hook again.
 Replace the squeegee on its support, following the instructions described previously.



ATTACHING/REMOVING THE BRUSHES

Brush attachment, fit the rollers in their housing by first inserting them on the drive pulley, then pushing them upwards until they click into place.
 Brush removal, release the brushes by pulling them downwards from the side opposite the drive pulley, then extracting them from their housing.

