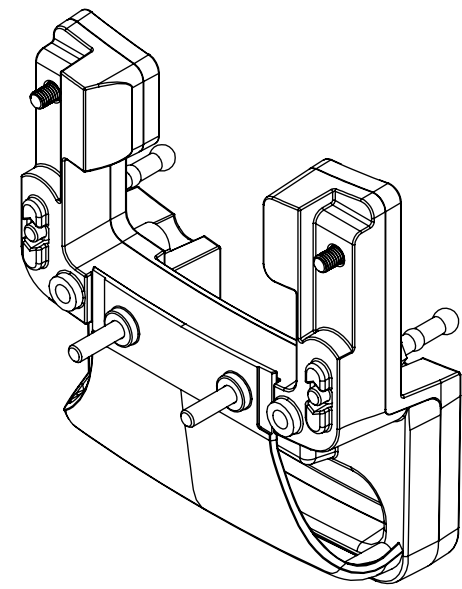
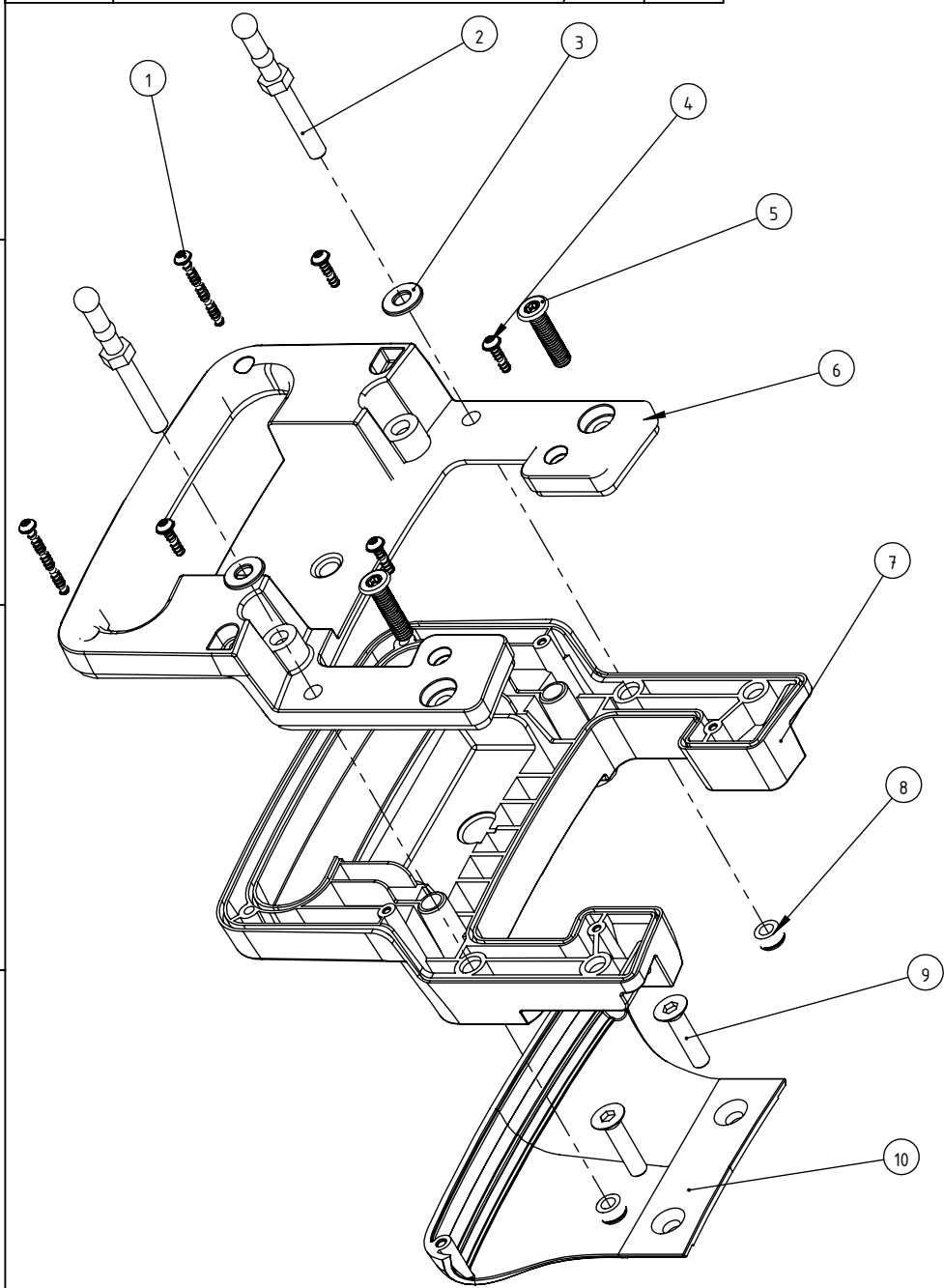


Revision	Description	Revised	Date
-	FIRST RELEASE	YANG	04/Sep./2024



Item	P/N	Description	Qty.
1	115.0184.1	EJOT PT SCREW WN 5452 30X25	2
2	115.0044.0B	(MCH 211-275) [103] SQUEEGEE FIXATION PIN	2
3	00.0091.0	WASHER STAINLESS M5 5.1X12X1.0	2
4	115.0011.0	(MCH 011-101) [101] EJOT PT SCREW WN 5451 30X10	4
5	115.0012.1	CYLINDER ROUND CAP TORX SCREW M5X20 STAINLESS STEEL	2
6	115.1160.797	FLOOR UNIT HANDLE GRIP TOP Blue (P312C)	1
7	115.1161.797	FLOOR UNIT HANDLE GRIP BOTTOM Blue (P312C)	1
8	04.0048.0	NUT M5 NYLON STAINLESS	2
9	72.0014.3N/1	NYLOK SCREW COUNTER SUNK BOLT M5X18.5	2
10	115.0376.797	LIFTING HANDLE BAFFLE Blue (P312C)	1

TOLERANCES UNSPECIFIED		REMARK:		SMT-FACT DONGGUAN	
LINE	ANGLE	-		THE FRIENDLY FAMILY	
.xxx ±0.005	x ±2°	MATERIAL: -		东莞硕能塑胶模具有限公司	
.xx ±0.05	.x ±1.5°	APPROVED	CHECKED	DISGNE	REV.
.x ±0.1	.xx ±1°			YANG	UNIT
. ±0.2	.xxx ±0.5°				mm
xx ±0.5					SCALE
xxx ±1					1:1
SHEET 1 OF 1		DATE		04/Sep/2024	
				SCALE	
				PROJECT	
				PART NAME	
				FLOOR UNIT HANDLE ASSY EZ	
				CLICK SQUEEGEE	
				PART NO	
				S.115.1161.797	
				SIZE	
				A4	