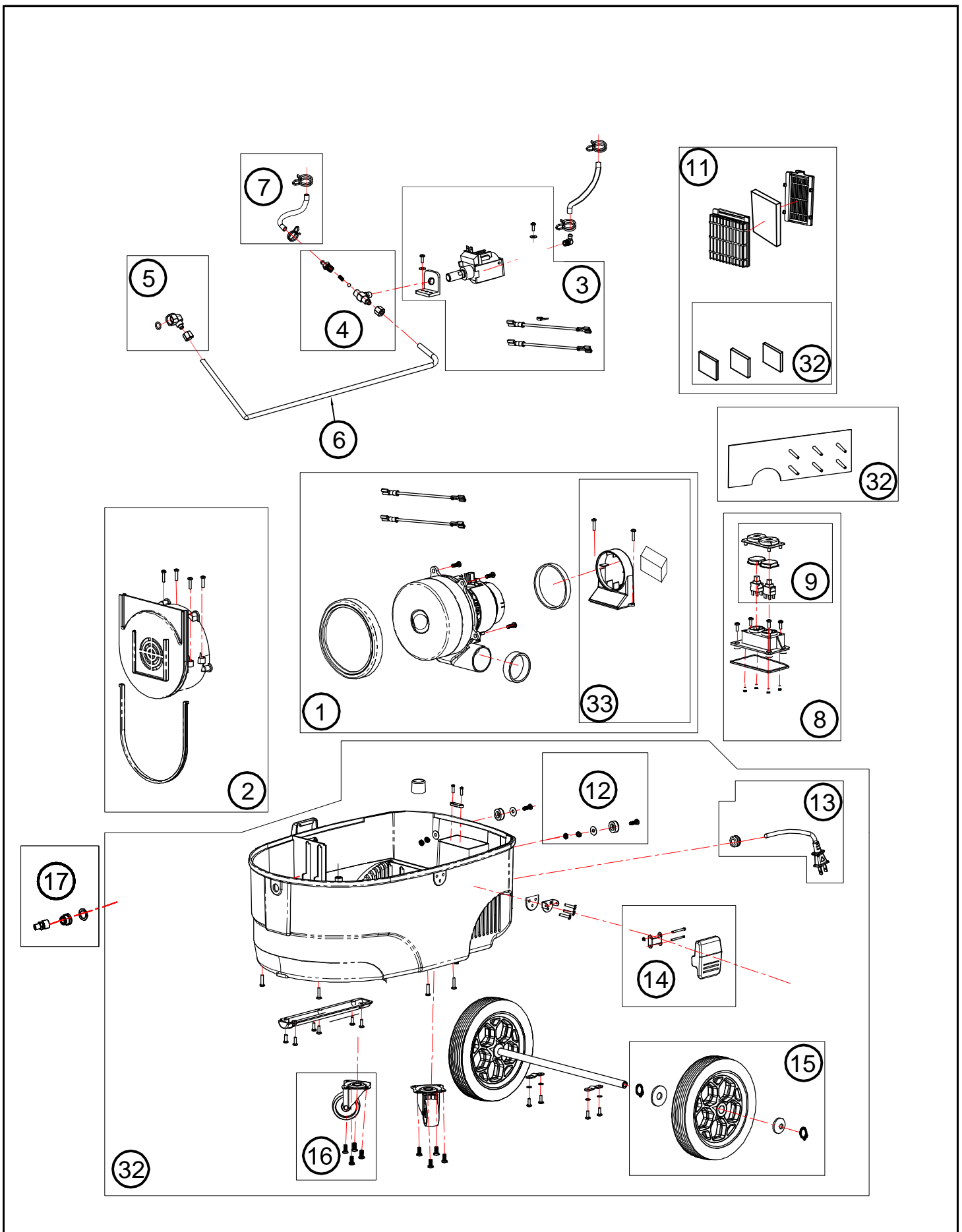
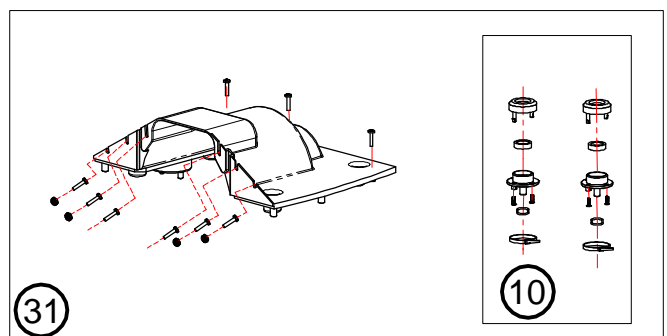
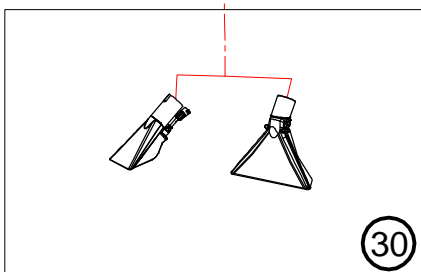
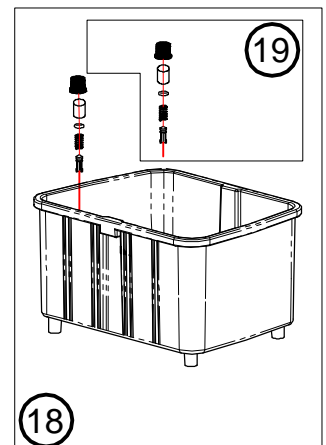
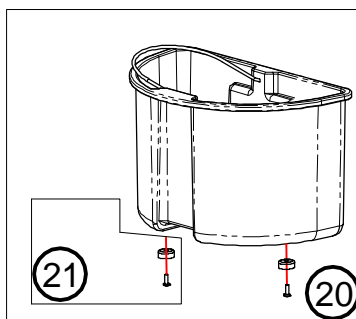
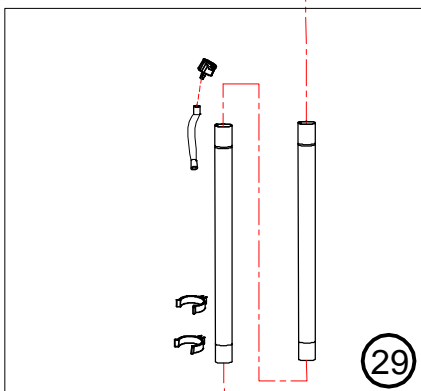
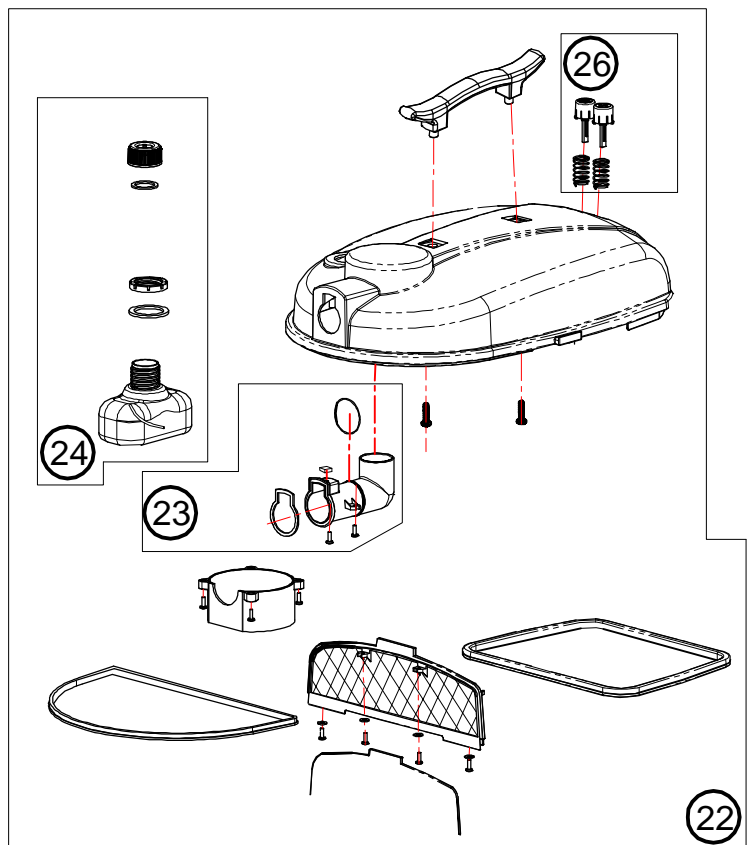
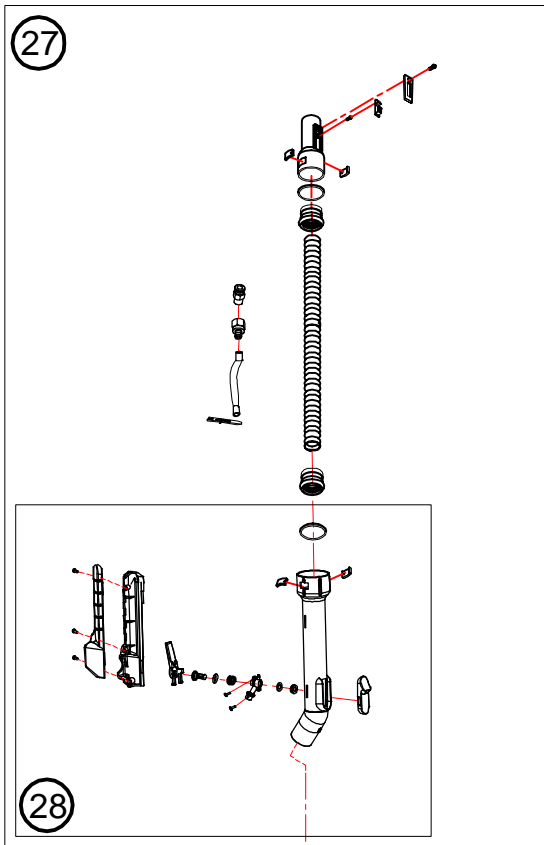


<b>Tacony CFC</b>		<b>Hydromist Lite Parts List</b>	
<b>Part Number:</b>	<b>HML</b>		
Series:	A		
Date:	09-Sep-19		
Reference Drawing Number:	09-1100-0000		
Reference Drawing Issue:	C		
Modified By:	J WYLES		
Service Parts List Issue:	E	<b>ECN #</b>	
Description of Change:	Components and drawing change	1266	

Ref. No.	Part No.	Part Description	Qty
1	20-0127-0000	VAC MOTOR ASSY	1
2	20-0128-0000	VAC MOTOR HOLDER ASSY	1
3	20-0129-0000	PUMP ASSY	1
4	20-0130-0000	PUMP TEE PIECE ASSY	1
5	20-0131-0500	WATER FEED ELBOW ASSY	1
6	20-0132-0000	WATER FEED TUBE	1
7	20-0133-0000	PUMP FEED TUBE	1
8	20-0134-0000	POWER SWITCH ASSY	1
9	20-0135-0000	POWER SWITCH & COVER	1
10	20-0136-0000	WATER FEED COVER ASSY	1
11	20-0137-0000	VAC MOTOR FILTER ASSY	1
12	20-0138-0000	RUBBER BUFFER ASSY (2 SETS)	2
13a	20-0139-0000	POWER CORD UK 4.5m 2Core 1mmSQ Black HML (UK only)	1
13b	20-0195-0000	POWER CORD EURO 4.5m 2Core 1mmSQ Black HML (EURO only)	1
13c	20-0196-0000	POWER CORD AUS 4.5m 2Core 1mmSQ Black HML (AUS only)	1
14	20-0140-0000	CLIP ASSY (2 SETS)	2
15	20-0141-0000	WHEEL ASSEMBLY (PER WHEEL)	2
16	20-0142-0000	CASTOR ASSY (PER CASTOR)	1
17	20-0143-0500	QUICK RELEASE CONNECTOR ASSY + MALE CONNECTOR	1
18	20-0144-0000	CLEAN WATER TANK ASSY	1
19	20-0145-0000	CLEAN WATER TANK FILTER ASSY	2
20	20-0146-0000	WASTE WATER TANK ASSY	1
21	20-0147-0000	WASTE WATER TANK FEET ASSY	2
22	20-0148-0000	TOP COVER ASSY	1
23	20-0149-0000	HOSE CONNECTOR TUBE ASSY	1
24	20-0150-0000	ANTI FOAM BOTTLE ASSY	1
26	20-0152-0000	PUMP AND MOTOR BUTTON ASSY	1
27	20-0153-0000	HOSE ASSY	1
28	20-0154-0000	TRIGGER ASSY	1
29	20-0155-0000	EXTENSION WAND ASSY	1
30	20-0156-0000	NOZZLE ASSY	1
31	20-0159-0000	MOTOR COVER ASSY	1
32	20-0160-0000	HOUSING ASSY	1
33	20-0161-0000	AIR INLET ASSY	1
<b>ACCESSORIES</b>			
29	20-0155-0000	EXTENSION WAND ASSY	1
27	20-0153-0000	HOSE ASSY	1
30	20-0156-0000	TOOL SET - UPHOLSTERY AND CARPET TOOLS	1
Not Shown	03-6029-0000	STORAGE BAG FOR HOSE AND UPHOLSTERY TOOL	1

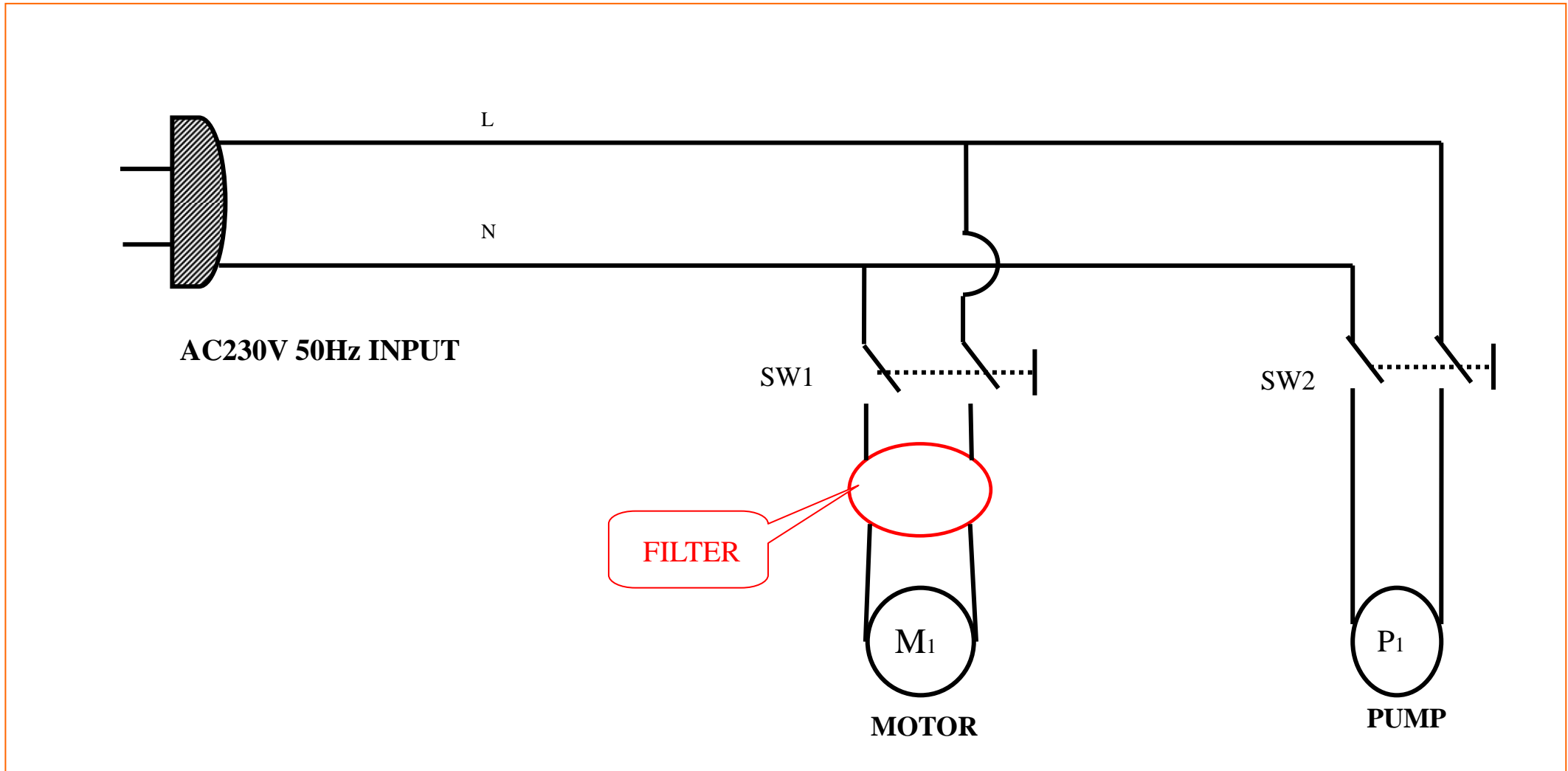


<b>Tacony CFC</b>		<b>Hydromist Lite</b>	
Part Number:		<b>HML</b>	
Date:	09-Sep-19	Sheet no.	
Drawing Number:	09-1100-0000	1 / 2	
Drawing Issue:	C	DESCRIPTION OF CHANGE	ECN #
Modified By:	J WYLES	Drawing Change	1266



<b>Tacony CFC</b>		<b>Hydromist Lite</b>	
<b>Part Number:</b>		<b>HML</b>	
Date:	09-Sep-19	Sheet no. <b>2 / 2</b>	
Drawing Number:	09-1100-0000		
Drawing Issue:	C	<b>DESCRIPTION OF CHANGE</b>	<b>ECN #</b>
Modified By:	J WYLES	Drawing Change	1266

# 3530W CIRCUIT DIAGRAM



2016-11-14