

PARTS LIST

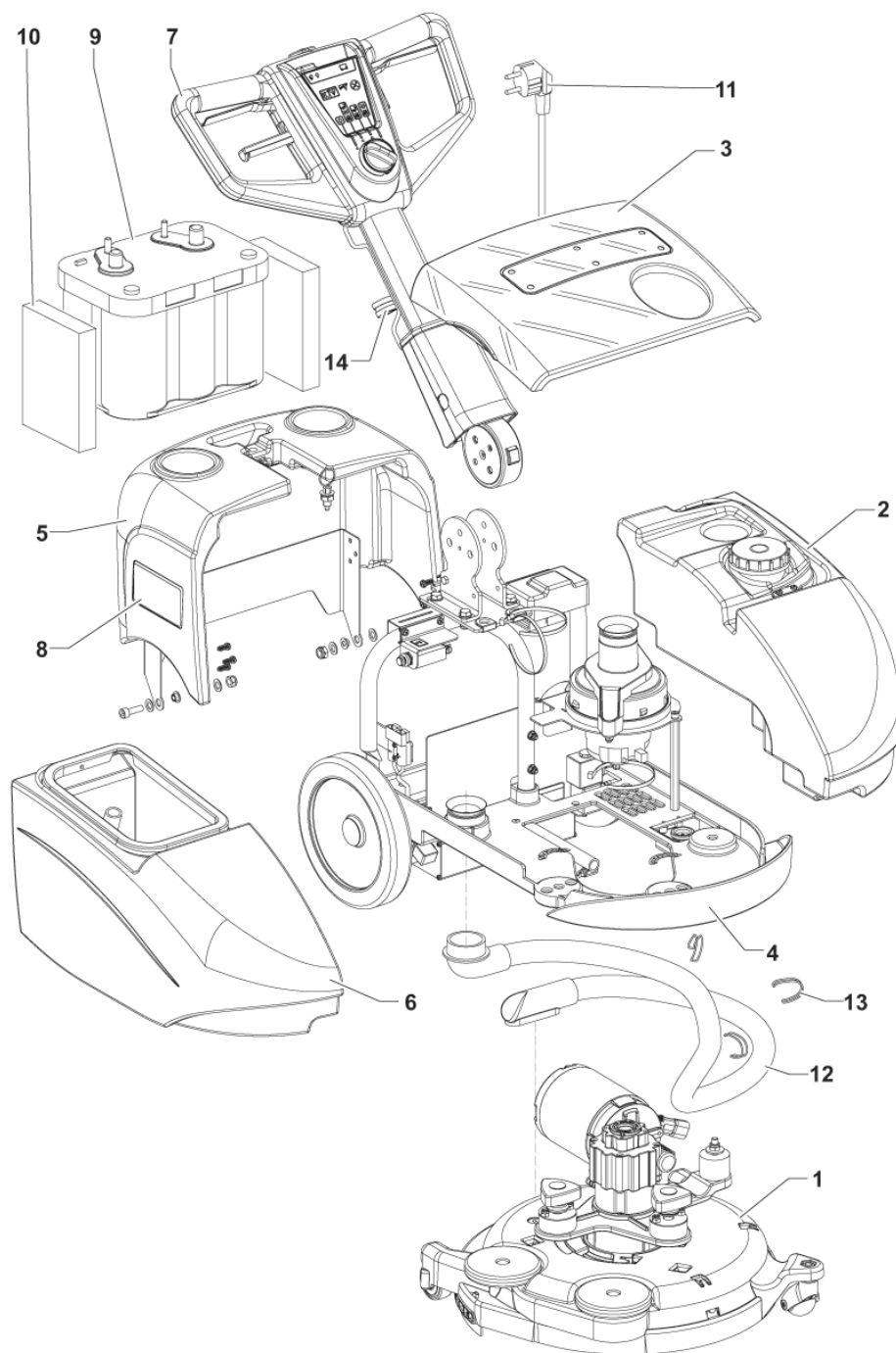


2023.11.14

NILFISK

TABLE OF CONTENTS

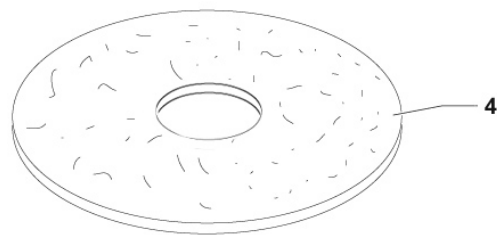
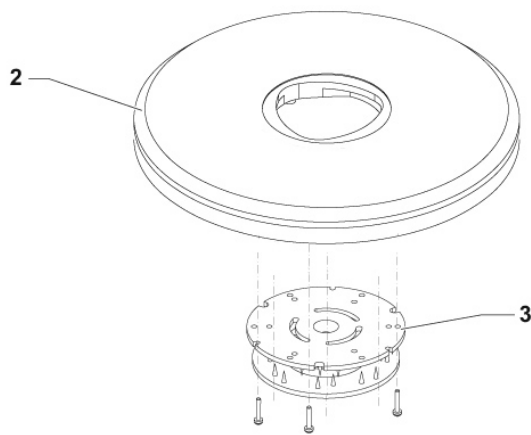
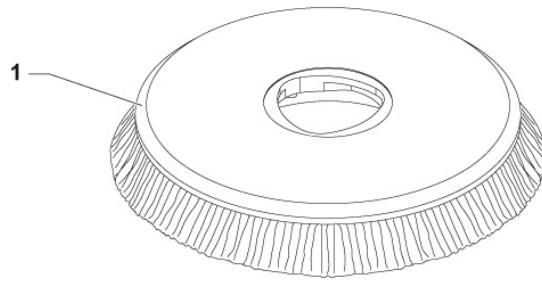
GENERAL VIEW	1
ACCESSORIES	3
COVER AND TANKS	5
FRAME SYSTEM	7
HANDLE SUPPORT SYSTEM	9
HANDLE SYSTEM	11
MOTOR AND DECK SYSTEM	13
BRUSH DECK SYSTEM	15
WIRING DIAGRAM	17
RECOMMENDED SPARE PARTS	19
OPTIONALS AND ACCESSORIES	21



No.	Part No.	Qty.	Description	Part Note
	9100002362	1	CARDBOARD BOX 870X730X540MM 10 PCS SET	
	9100002948	1	PALLET 880X550MM 5 PCS SET	
1		1	BRUSH DECK	[1]
2		1	SOLUTION TANK	[2]
3		1	COVER TANK	[2]
4		1	FRAME	[3]
5		1	BATTERY COVER	[3]
6		1	RECOVERY TANK	[2]
7		1	HANDLE	[4]
8	9100000079	1	DECALS KIT SC351 NIL	[5]
8	9100000080	1	DECALS KIT SC351 ADV	[6]
9	9100001664	1	BATTERY 12V 55AH AGM SPIRACEL	[7]
9	1464853000	1	BATTERY DISCOVER 12V 84AH	[8]
10	9098934000	2	PANEL BATTERY FOAM 170X110X30MM	
11	9100000787	1	CABLE EXTENSION EU PLUG L.2000MM SIP	[5]
11	1466318000	1	CABLE EXTENSION UK PLUG L.2000MM SIP	[5]
11	9096914000	1	CABLE EXTENSION US PLUG L.1500MM	[6]
11	1467891000	1	CHARGER POWER CABLE 2M SWISS PLUG	
12	9099706000	1	HOSE SUCTION D.25 PLASTIC BLACK	
13	9100001733	1	TIE CABLE 2.5X200 BLACK 10 PCS SET	
14	9099301000	1	HARDWARE GENERAL VIEW KIT	

Part Notes:

- [1] - BRUSH DECK
- [2] - COVER AND TANKS
- [3] - FRAME SYSTEM
- [4] - HANDLE SYSTEM
- [5] - NILFISK VERSION
- [6] - ADVANCE VERSION
- [7] - ONLY FOR NILFISK
- [8] - OPTIONAL FOR NILFISK
STANDARD FOR ADVANCE



ACCESSORIES

SC351 NIL

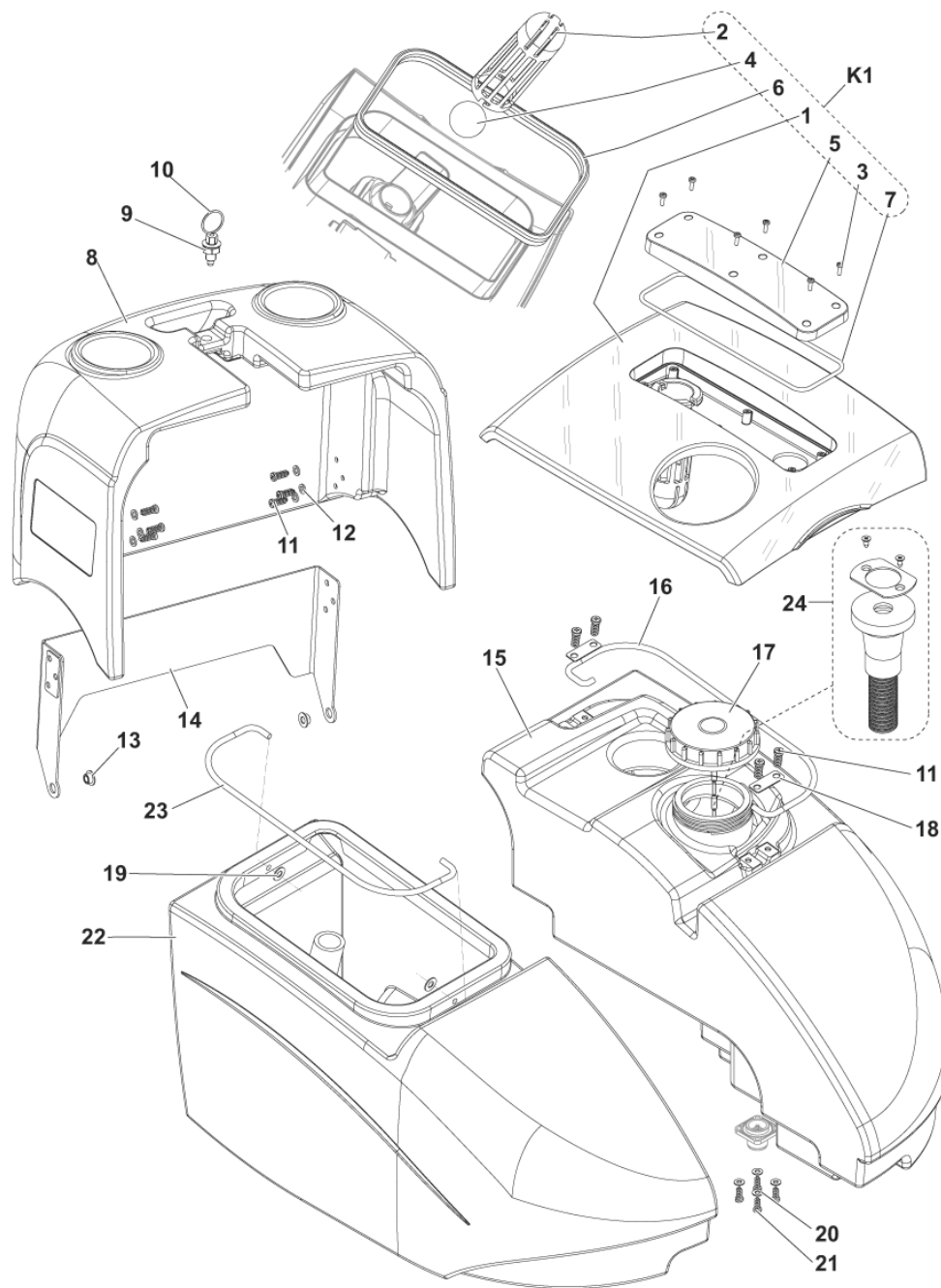
2017.11.02

2017.01.10

No.	Part No.	Qty.	Description	Part Note
1	9099999000	1	BRUSH DISC 370MM 14.5 PROLENE BLUE	
1	9100000001	1	BRUSH DISC 370MM 14.5 PROLITE BLUE	[1]
1	9100000000	1	BRUSH DISC 370MM 14.5 UNION MIX NATURAL	[1]
1	9100000002	1	BRUSH DISC 370MM 14.5 GRIT 240 GREY	[1]
1	9100000003	1	BRUSH DISC 370MM 14.5 GRIT 180 GREY	[1]
2	9099672000	1	PAD HOLDER FLAT 14 355MM	[1]
3	56505195	1	PAD RETAINER	[1]
4	10001918	1	PAD 14 355MM ECO BROWN 5PCS	[1]
4	10001920	1	PAD 14 355MM ECO RED 5PCS	[1]
4	10001921	1	PAD 14 355MM ECO WHITE 5PCS	[1]
4	10001919	1	PAD 14 355MM ECO GREEN 5PCS	[1]

Part Notes:

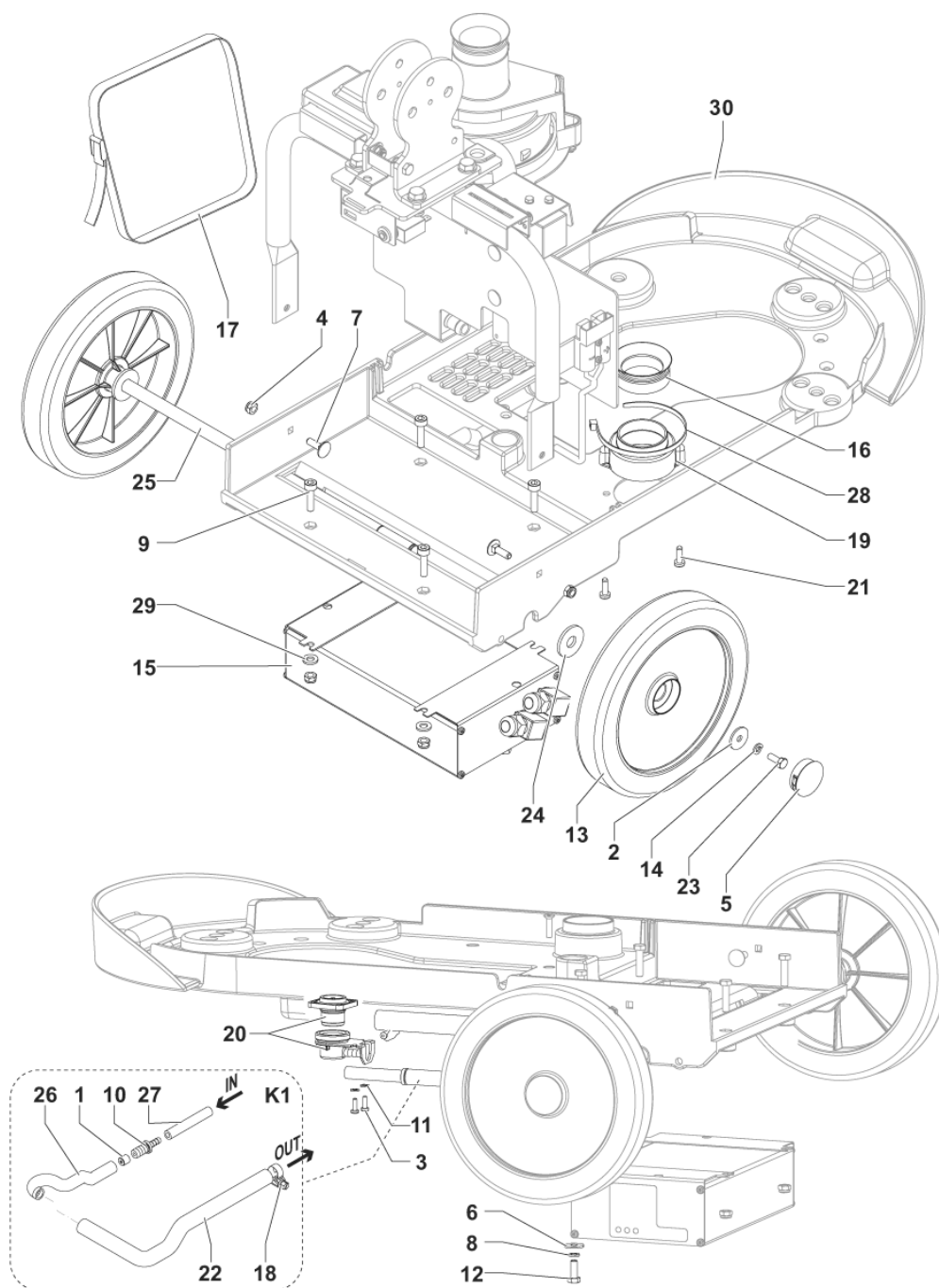
[1] - OPTIONAL



No.	Part No.	Qty.	Description	Part Note
2	9100001371	1	CAGE FLOAT PLAST. SIP	
4	L08092600	1	Flotørball Flotørball	
6	9099127000	1	GASKET RUBBER L.705MM SIP	
8	9098318000	1	COVER BATTERY PLAST. GREY	
9	145 1147 000	1	BELLEVILLE WASHER 10.2X18.8X0.35 DIN2093	
10	1466331000	1	PLUNGER M10 D.6 W/NUT SIP	
14	9098309000	1	SUPPORT BATTERY COVER METAL	
15	9098149000	1	TANK SOLUTION 11L PLAST. GREY	
16	9100000104	1	HANDLE SOLUTION TANK	
17	9100001202	1	CAP THREADED 70X5 SIP	
18	9098621000	2	PLATE HANDLE TANK	
19	9098473000	2	COVER PIN	
22	9098148000	1	TANK RECOVERY 11L PLAST. GREY	
23	9100000103	1	HANDLE RECOVERY TANK	
24	9099011000	1	HOSE FILLING KIT	[1]
K1	9100002110	1	COVER PLAST. GREY F TANK 11L KIT	
K2	9098990000	1	HARDWARE COVER AND TANKS KIT	[2]

Part Notes:

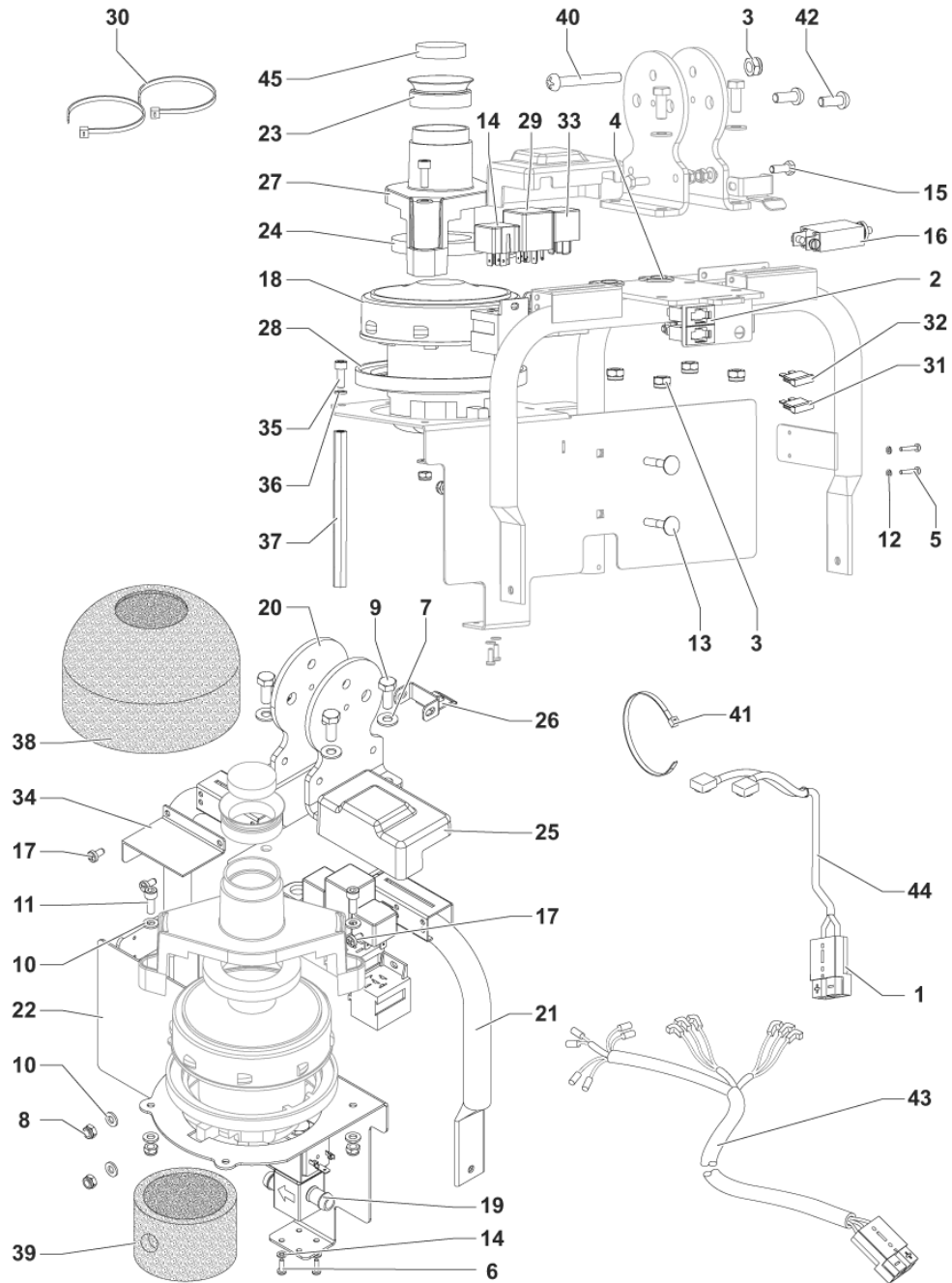
- [1] - OPTIONAL - SEE TSB-FC-2016-020
 [2] - NOT SHOWN



No.	Part No.	Qty.	Description	Part Note
13	9099732000	2	WHEEL D.214 GREY/BLACK	
15	9100000713	1	CHARGER BATT. O/B 12V 15A 230V EU KIT	[1]
15	9100002104	1	CHARGER BATT. O/B 12V 12A 100-230V JP	[2]
15	9100002103	1	CHARGER BATT. O/B 12V 12A 100-230V US	[3]
16	9100001958	1	GASKET SIP	
17	1467834000	1	BELT BATTERY FIXING	
19	9099719000	1	SUPPORT FOR GASKET	
20	9100000514	1	VALVE WATER PLASTIC CPL SIP	
25	9100002588	1	SHAFT WHEELS SS KIT	
30	9099927000	1	CHASSIS KIT	
K1	9098992000	1	HOSE KIT	[4]
K1	9100000476	1	HOSES SOLENOID VALVE 12V KIT	[5]
K2	9100000083	1	HARDWARE CHASSIS KIT	[6]

Part Notes:

- [1] - NILFISK VERSION - INST.INSTR. 9100000712 - SEE TSB-FC-2014-042
- [2] - NILFISK VERSION
- [3] - ADVANCE VERSION
- [4] - UNTIL SN 3510145009117
- [5] - STARTING SN 3510145009118
- [6] - NOT SHOWN

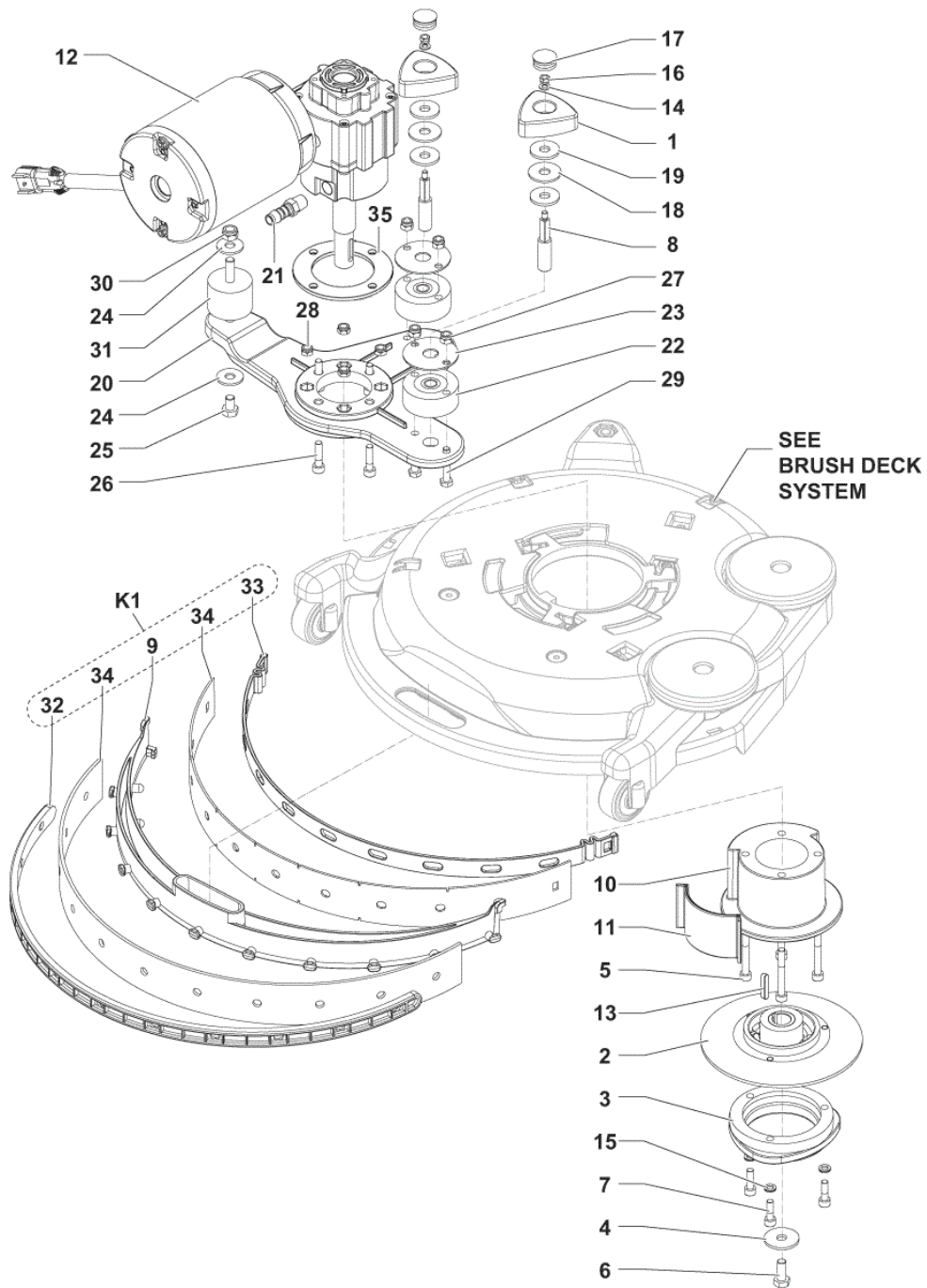


No.	Part No.	Qty.	Description	Part Note
1	9098760000	2	CONNECTOR 50A GREY	
2	9098924000	2	FUSE HOLDER	
4	909 6542 000	2	GROMMET	
14	9098441000	1	RELAY 12V	
16	9099802000	1	CIRCUIT BREAKER 35A KIT	
18	9100001238	1	MOTOR VACUUM 12V 200W SEALED SIP	
19	9098112000	1	SOLENOID VALVE 12V	[1]
19	9100000475	1	SOLENOID VALVE 12V SIP	[2]
20	9098185000	2	BRACKET HANDLE	
21	9100001411	1	SUPPORT HANDLE SIP	
22	9100002355	1	SUPPORT VACUUM MOTOR SIP	
23	9100001958	1	GASKET SIP	
24	9098327000	1	GASKET VACUUM MOTOR	
25	9098365000	1	COVER RELAY	
26	9098482000	1	BRACKET PLUNGER BLOCK	
27	9098483000	1	COVER VACUUM MOTOR	
28	9098554000	1	GASKET VACUUM MOTOR	
29	9098375000	1	TIMER CYCLICAL	
31	145 8513 000	1	FUSE BLADE 30A UL	
32	145 9852 000	1	FUSE BLADE 5A UL	
33	146 3113 000	1	RELAY 12V 70A	
34	9099731000	1	SUPPORT CIRCUIT BRAKER	
37	9098559000	1	SPACER GALV. F SUPPORT VAC. MOTOR	
38	9098656000	1	CASING VACUUM MOTOR	
39	9098925000	1	CASING LOWER VACUUM MOTOR	
43	9099330000	1	HARNES MACHINE	[3]
43	9100000477	1	HARNES MACHINE SIP	[4]
43	L08603885	1	CONNECTOR TYPE DIN 46340	[4]
44	9098849000	1	HARNES BATTERY	
45	9100001278	1	FILTER VACUUM MOTOR SIP	
K1	9100000084	1	HARDWARE HANDLE BAR SUPPORT KIT	[5]

Part Notes:

- [1] - UNTIL SN 3510145009117
- [2] - SOLENOID VALVE W/ HOSE - STARTING FROM SN 3510145009118
- [3] - NO LONGER AVAILABLE
- UNTIL SN 3510145009117
- [4] - STARTING SN 3510145009118
- [5] - NOT SHOWN

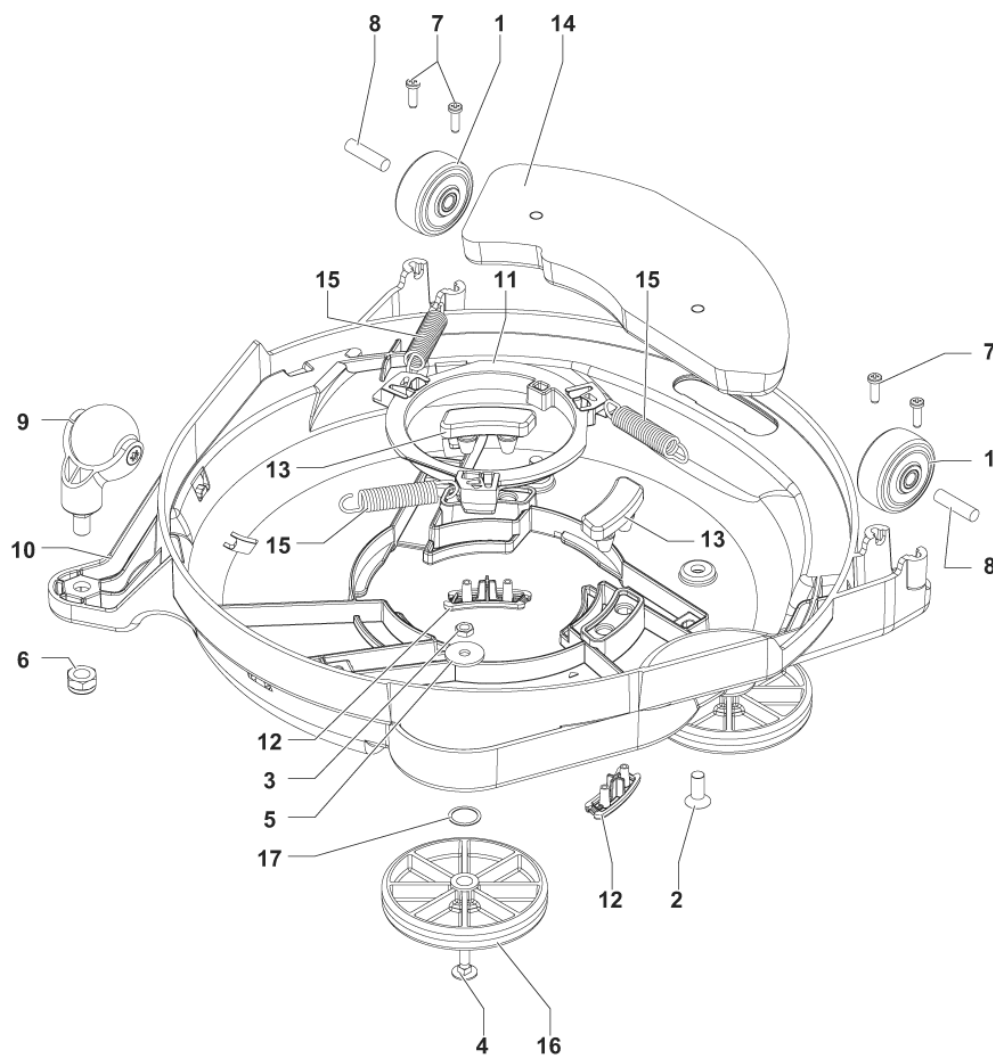
No.	Part No.	Qty.	Description	Part Note
2	L08603153	1	SWITCH PUMP	
3	L08603154	1	CAP PROTECTION	
11	146 3073 000	1	BOARD LED	
13	1466317000	1	SUPPORT BATTERY CHARGER CABLE KIT	
14	9097283000	1	KNOB CONTROL FUNCTIONS	
18	9099331000	1	HARNESS HANDLE BAR	
19	9099332000	1	SWITCH ROTATIVE 4 POSITIONS	
20	9100000101	1	COVERS HANDLE GREY KIT	
21	9099733000	1	DECAL CONTROL PANEL	
22	9098616000	1	DECAL BATTERY LED	
23	9098812000	1	CAP FOR HANDLE	
24	9098813000	1	CAP D.18.5/D.24MM BLACK	
25	9098835000	1	TUBE OF HANDLE	
26	9098836000	1	ROD INDEX	
33	VF47033	1	RETAINER	
34	VF54041	1	HANDLE PLUG	
35	40263A	1	SWITCH DPST	
56	80398A	2	SCREW M5X35 SS HEAD PHILLIPS	
57	VV13609	1	NUT M4	
58	80407A	4	SCREW M5X25 SS FLAT HEAD PHILLIPS	
K1	11271A	1	REAR AND FRONT COVER KIT	
K2	11272A	1	LOWER HOUSING KIT	
K3	11273A	1	HANDLE SUPPORT KIT	
K4	11274A	1	HANDLE SWITCH LEVER KIT	
K5	9098995000	1	HARDWARE HANDLE BAR KIT	



No.	Part No.	Qty.	Description	Part Note
1	L08812203	2	Knob Ba450/530	
2	L08812306	1	Polyg. Flange Ba450/530	
3	L08812480	1	HUB PLAST. F BRUSH	
8	9098557000	2	PIN BRUSH PLATE FIXING	
10	9100000955	1	FLANGE DECK KIT	
11	9099736000	1	END STOP POSITION	
12	9100000679	1	REDUCTION GEARMOTOR 260W 12V SIP	
13	1466146000	1	KEY 5X5X25 UNI6604A SIP	
17	L08812426	2	PLUG FINNED D.22 PLASTIC BLACK	
20	9099718000	1	SUPPORT DECK	
21	L08601624	1	Slangestuds Plast	[1]
21	9100000478	1	HOLDER RUBBER STRAIGHT 1/4 D.6 SIP	[2]
22	L08812213	2	Hjul, Pækørsel Ba450/530	
23	L08812779	2	Metalplade	
31	9100000868	1	VIBRATION DAMPING M8 60SH 2 PCS SET	
32	9099707000	1	STRAP REAR ELASTIC F SQUEEGEE 370MM 14.5	
33	9099708000	1	STRAP FRONT ELASTIC F SQUEE. 370MM 14.5	
34	9100000077	1	BLADES SQUEEGEE 370MM 14.5 PU KIT	
34	9100000302	1	BLADES SQUEEGEE 370MM 14.5 RED GUM KIT	[3]
K1	9100000085	1	SQUEEGEE 370MM 14.5 PLAST. KIT	
K2	9100000086	1	HARDWARE MOTOR AND DECK KIT	[4]

Part Notes:

- [1] - UNTIL SN 3510145009117
- [2] - STARTING SN 3510145009118
- [3] - OPTIONAL
- [4] - NOT SHOWN



BRUSH DECK SYSTEM

SC351 NIL

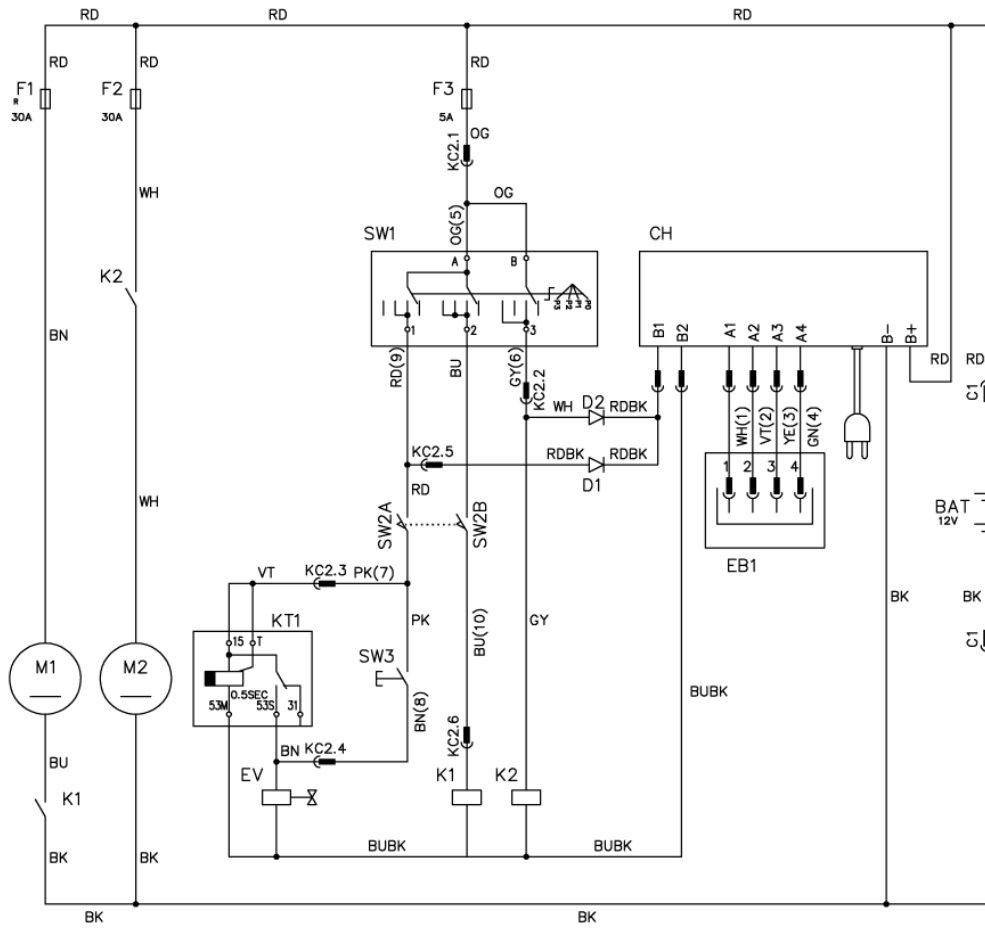
2017.11.02

2017.01.10

No.	Part No.	Qty.	Description	Part Note
1	9100000559	2	WHEEL D.51 GREY SIP	
9	9099163000	1	WHEEL CASTOR D.42 W/STEM PLASTIC	
10	9099712000	1	DECK BRUSH 350MM/14 PLASTIC	
11	9099713000	1	FLANGE CENTRAL	
14	9100002162	1	COUNTERWEIGHT SIP	
15	9099720000	3	SPRING EXTENSION D.E.14 WIRE D.2.3	
16	9100001816	1	WHEEL BUMPER D.100 PLASTIC 2 PCS SET	
K1	9100000087	1	CLUTCH KIT	[1]
K2	9100000088	1	HARDWARE BRUSH DECK KIT	[1]

Part Notes:

[1] - NOT SHOWN



No.	Part No.	Qty.	Description	Part Note
BAT	9100001664		BATTERY 12V 55AH AGM SPIRACEL	
CH	9100000713		CHARGER BATT. O/B 12V 15A 230V EU KIT	
CH	9100002103		CHARGER BATT. O/B 12V 12A 100-230V US	
EB1	146 3073 000		BOARD LED	
EV	9098112000		SOLENOID VALVE 12V	
F1	9099802000		CIRCUIT BREAKER 35A KIT	
F2	145 8513 000		FUSE BLADE 30A UL	
F3	145 9852 000		FUSE BLADE 5A UL	
K1	146 3113 000		RELAY 12V 70A	
K2	9098441000		RELAY 12V	
KT1	9098375000		TIMER CYCLICAL	
M1	9100000679		REDUCTION GEARMOTOR 260W 12V SIP	
M2	9100001238		MOTOR VACUUM 12V 200W SEALED SIP	
SW1	9099332000		SWITCH ROTATIVE 4 POSITIONS	
SW2	40263A		SWITCH DPST	
SW3	L08603153		SWITCH PUMP	

RECOMMENDED SPARE PARTS

SC351 NIL

2017.11.02

2016.12.02

No.	Part No.	Qty.	Description	Part Note
NW	9100000077	1	BLADES SQUEEGEE 370MM 14.5 PU KIT	
NW	9099999000	1	BRUSH DISC 370MM 14.5 PROLENE BLUE	
OM	9099707000	1	STRAP REAR ELASTIC F SQUEEGEE 370MM 14.5	
OM	9099708000	1	STRAP FRONT ELASTIC F SQUEE. 370MM 14.5	
OM	9099127000	1	GASKET RUBBER L.705MM SIP	
OM	9100001958	2	GASKET SIP	
OM	9100001238	1	MOTOR VACUUM 12V 200W SEALED SIP	
OM	9098327000	1	GASKET VACUUM MOTOR	
OM	9100000679	1	REDUCTION GEARMOTOR 260W 12V SIP	
OM	L08812480	1	HUB PLAST. F BRUSH	
OM	9099706000	1	HOSE SUCTION D.25 PLASTIC BLACK	
OM	9100000559	2	WHEEL D.51 GREY SIP	
OM	9099163000	1	WHEEL CASTOR D.42 W/STEM PLASTIC	
OM	9100000087	1	CLUTCH KIT	
OM	9100000085	1	SQUEEGEE 370MM 14.5 PLAST. KIT	
EOM	9099712000	1	DECK BRUSH 350MM/14 PLASTIC	
EOM	9100001816	1	WHEEL BUMPER D.100 PLASTIC 2 PCS SET	
EOM	9099732000	2	WHEEL D.214 GREY/BLACK	
EOM	9100000713	1	CHARGER BATT. O/B 12V 15A 230V EU KIT	
EOM	9100002103	1	CHARGER BATT. O/B 12V 12A 100-230V US	
EOM	9100000514	1	VALVE WATER PLASTIC CPL SIP	
EOM	9098992000	1	HOSE KIT	
EOM	9098760000	2	CONNECTOR 50A GREY	
EOM	9099802000	1	CIRCUIT BREAKER 35A KIT	
EOM	9098112000	1	SOLENOID VALVE 12V	
EOM	146 3113 000	1	RELAY 12V 70A	
EOM	9098441000	1	RELAY 12V	
EOM	9098375000	1	TIMER CYCLICAL	
EOM	145 8513 000	1	FUSE BLADE 30A UL	
EOM	145 9852 000	1	FUSE BLADE 5A UL	
EOM	9099332000	1	SWITCH ROTATIVE 4 POSITIONS	
EOM	40263A	1	SWITCH DPST	
EOM	L08603153	1	SWITCH PUMP	

No.	Part No.	Qty.	Description	Part Note
	1464853000	1	BATTERY DISCOVER 12V 84AH	
	9099011000	1	HOSE FILLING KIT	[1]
	9100000001	1	BRUSH DISC 370MM 14.5 PROLITE BLUE	
	9100000000	1	BRUSH DISC 370MM 14.5 UNION MIX NATURAL	
	9100000002	1	BRUSH DISC 370MM 14.5 GRIT 240 GREY	
	9100000003	1	BRUSH DISC 370MM 14.5 GRIT 180 GREY	
	9099672000	1	PAD HOLDER FLAT 14 355MM	
	10001918	1	PAD 14 355MM ECO BROWN 5PCS	
	10001920	1	PAD 14 355MM ECO RED 5PCS	
	10001921	1	PAD 14 355MM ECO WHITE 5PCS	
	10001919	1	PAD 14 355MM ECO GREEN 5PCS	
	9100000302	1	BLADES SQUEEGEE 370MM 14.5 RED GUM KIT	

Part Notes:

[1] - SEE TSB-FC-2016-020

