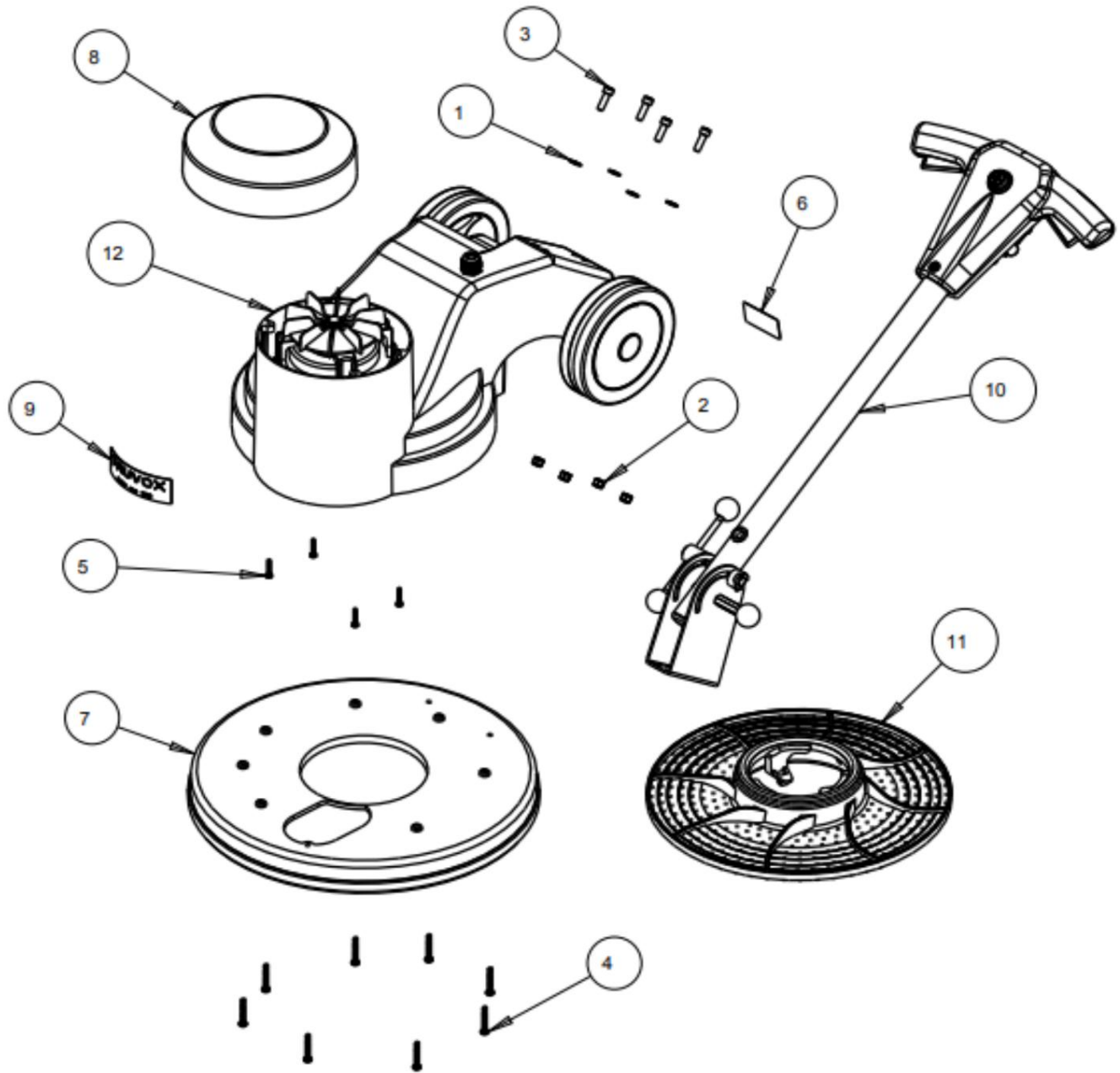


Tacony CFC	ORBIS ECO 200	
Part Number:	OB45200/ECO	
Series:	B (from Serial Number 002136)	
Date:	27-Oct-22	
Reference Drawing Number:	OB45200/ECO	
Reference Drawing Issue:	05-4724-0000, (Base) 05-4711-0000, (Motor plate) 05-4712-0000,(Handle) 09-1146-0000,(Wiring diagram)	
Modified City:	J Clarke	
Service Parts List Issue:	3	ECN#
Description of Change:	Cam assembly motor plate	-

Ref. No.	Part no.	Part Description	Qty
1	00-0800-0501 M8 W	WASHER ZINC PLATED	4
2	00-0800-0721 M8 N	NYLOC NUT	4
3	00-0825-0091 M8 X	25 CAP HEAD SCREW Z/P	4
4	02-3515-0000 KB60	X 40 SELF DRAIN	8
5	02-3517-0000 KB50	X 25 SELF TAP SCREW	4
6	03-5866-0500 DATA	LABEL	1
7	03-6102-0000 ORBIS	BRUSH GUARD 17"	1
8	03-8309-0000 ORBIS	ECO MOTOR COVER	1
9	03-8401-0000 ORBIS	ECO 200 LABEL	1
11	05-4714-0000 ECO	LOK DRIVE BOARD - 17"	1
12	05-4724-0000 ORBIS	ECO 200 BASE ASSEMBLY	1
10	05-4712-0000 ORBIS	ECO HANDLE ASSEMBLY	1



Tacony CFC

ORBIS ECO 200

Part Number:

OB45200/ECO

Date: 01-May-20

Sheet no.

Drawing Number: OB45200/ECO

1 / 1

Drawing Issue: 05-4724-0000.(Base) 05-4711-0000.(N

DESCRIPTION OF CHANGE

ECN #

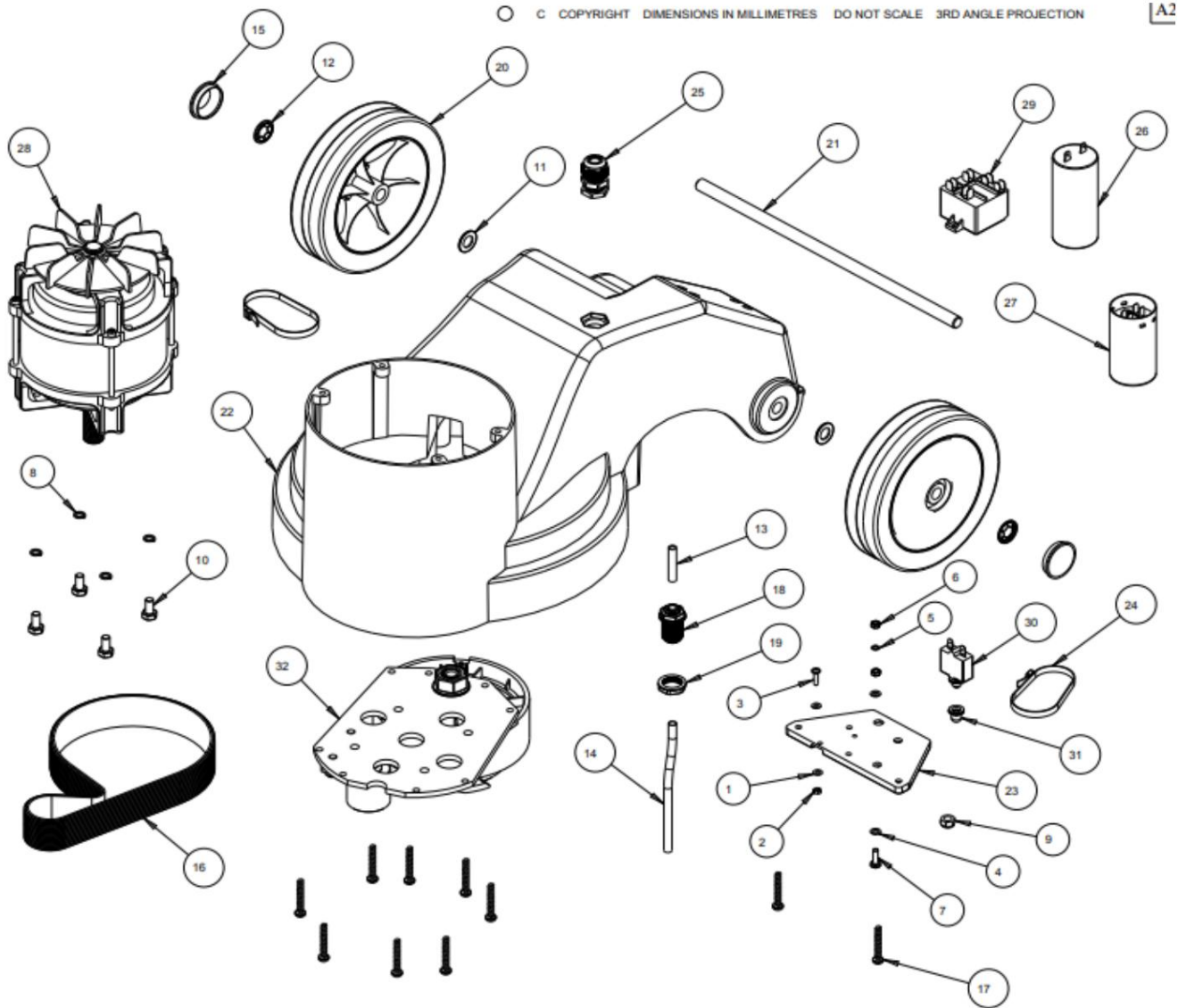
Modified By: N DOWSE

-

-

/iring di

05-4724-0000, (Base)			
1	00-0400-0501 M4 W	WASHER FORM AZ/P	2
2	00-0400-0701 M4 F	ULL NUT Z/P	1
3	00-0416-0011 M4 x	16 POZI PAN HD SCREW Z/P	1
4	00-0500-0501 M5 W	WASHER FORM AZ/P	2
5	00-0500-0531 M5 E	TERNAL SHAKEPROOF WASHER	1
6	00-0500-0701 M5 F	ULL NUT Z/P	2
7	00-0516-0011 M5 x	16mm POZI PAN HD SCREW ZP	1
8	00-0800-0511 M8 S	INGLE COIL SPRING	4
9	00-0800-0751 M8 1	2 NYLOC NUT Z/P	1
10	00-0816-0111 M8 X	16 HEX SET SCREW Z/P	4
11	00-1200-0503 M12	WASHER FORM B ST/STL	2
12	02-0254-0000 STAR	RLOCK WASHER	2
13	02-0264-0000 8mm	TUBE x 40mm	1
14	02-0264-1000 WATER	FEED PIPE	1
15	02-3124-0000 WHEEL	CENTER CAP	2
16	02-3499-0000 ORBS	ECO DRIVE BELT	1
17	02-3515-0000 KB60	X 40 SELF DRAIN	10
18	02-3636-0000 BULK	HEAD FITTING	1
19	02-3636-0000 BULK	HEAD BACKNUT	1
20	02-3649-0000 WHEEL	- 175mm	2
21	03-6081-0000 ORBS	AXLE	1
22	03-8308-0000 ORBS	ECO BASE MOULD	1
23	03-8359-0000 CAPA	CITOR MOUNTING PLATE	1
24	04-0279-0000 CABLE	TIE - BLACK LK3X	2
25	04-3212-0000 CABLE	GLAND	1
26	04-3501-0500 RUN	CAPACITOR 30uF	1
27	04-3231-0000 START	CAP 100uF (LEROY TYPE MG)	1
28	04-3969-0000 H&S	ENGINE 400	1
29	04-3974-0000 RELAY	CPR3800-4H3D	1
30	04-4017-0000	CIRCUIT BREAKER - 8 AMP	1
31	04-4018-0000 CIRCU	IT BREAKER COVER	1
32	05-4711-0000 ORBS	ECO MOTOR PLATE ASSEMBLY	1



Tacony CFC

ORBIS ECO 200

Part Number:

OB45200/ECO

Date: 01-May-20

Sheet no.

Drawing Number: OB45200/ECO

1 / 1

Drawing Issue: 05-4724-0000,(Base) 05-4711-0000,(Mot

DESCRIPTION OF CHANGE ECN #

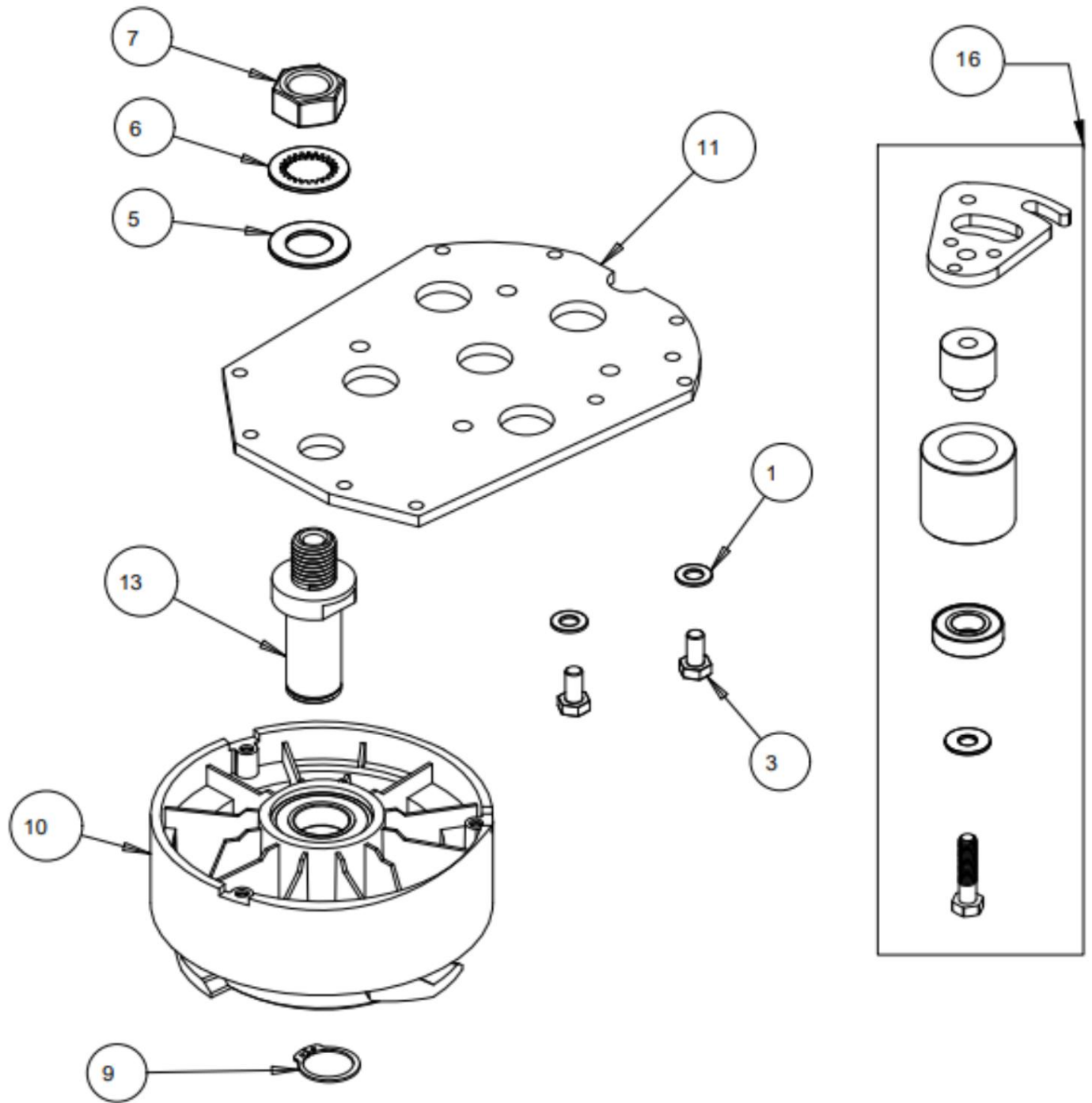
00,(Wiring

Modified By: N DOWSE

-

-

05-4711-0000, (Motor plate)			
1	00-0800-0501 M8	WASHER ZINC PLATED	2
3	00-0816-0111 M8 X 16	HEX BOLT HTG 8.8 Z/P	2
5	00-2000-0501 M20	PLAIN WASHER FORM BZ/P	1
6	00-2000-0521 M20	INTERNAL SHAKEPROOF WASHER	1
7	00-2000-0701 M20	FULL NUT Z/P	1
9	02-4554-0000 CIRC	CLIP EXTERNAL 25mm ST/ST	1
10	03-8350-0000 ORB	S PULLEY - 200/400	1
11	03-8354-0000 ORB	S ECO DRIVE PLATE	1
13	03-8356-0000 ORB	S ECO SPINDLE	1
16	05-4784-0000 BELT	TENSION CAM ASSEMBLY	1



Tacony CFC

ORBIS ECO 200

Part Number:

OB45200/ECO

Date: 01-May-20

Sheet no.

Drawing Number: OB45200/ECO

1 / 1

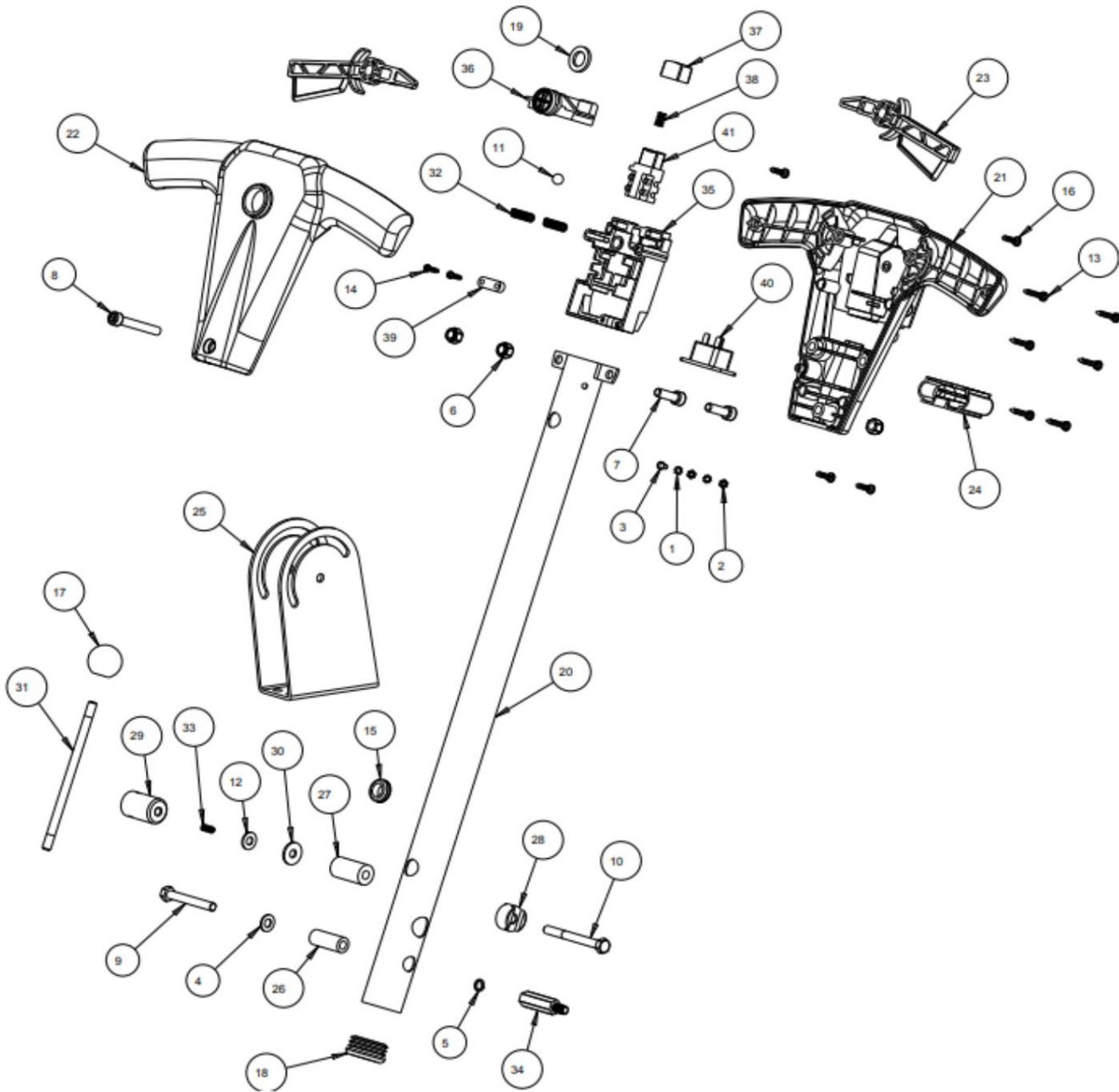
Drawing Issue: 05-4724-0000,(Base) 05-4711-0000,(Motor)

DESCRIPTION OF CHANGE ECN #

Modified By: N DOWSE

Wi

05-4712-0000, (Trade)			
1	00-0400-0531 M4	EXTERNAL SHAKEPROOF WASHER	2
2	00-0400-0701 M4	FULL NUT Z/P	2
3	00-0416-0031	SCREW M4 X 16 CSK POZI HD BZP	1
4	00-0800-0501 M8	WASHER ZINC PLATED	1
5	00-0800-0511 M8	SINGLE COIL SPRING	1
6	00-0800-0721 M8	NYLOC NUT	3
7	00-0825-0091 M8 X	25 CAP HEAD SCREW Z/P	2
8	00-0855-0091 M8 x	55 SOCKET HEAD SCREW Z/P	1
9	00-0860-0121 M8 X	60 HEX HEAD BOLT Z/P	1
10	00-0875-0121 M8 X	75 HEX HEAD BOLT Z/P	1
11	02-3186-0000 10 mm	BALL BEARING	1
12	02-3329-0000	FIBER WASHER	1
13	02-3517-0000 KB50	X 25 SELF TAP SCREW	6
14	02-3518-0000 KB40	X 14 SELF TAP SCREW	2
15	02-3520-0000	DIAPHRAGM GROMMET	1
16	02-3836-0000 KB50	X 18 SELF TAP SCREW	4
17	02-4628-0000 M8	KNOB 32mm DIA	3
18	02-4629-0000 38mm	TUBE END CAP	1
19	03-6182-0000	RUBBER WASHER	1
20	03-8360-0000	ORBIS ROUND HANDLE TUBE	1
21	03-8361-0000	ORBIS ECO HANDLE BACK	1
22	03-8362-0000	ORBIS ECO HANDLE FRONT	1
23	03-8363-0000	ORBIS ECO TRIGGER	2
24	03-8366-0000	ORBIS ECO CABLE COVER	1
25	03-8367-0000	HANDLE UPSTAND	1
26	03-8368-0000	ORBIS ECO HANDLE PIVOT	1
27	03-8369-0000	ORBIS ECO LOCKING SPACER	1
28	03-8370-0000	ORBIS ECO LUGGED CLAMP	1
29	03-8371-0000	ORBIS ECO HANDLE LOCK	1
30	03-8372-0000	ORBIS ECO FRICTION WASHER	1
31	03-8373-0000	ORBIS ECO LOCKING BAR	1
32	03-8374-0000	ORBIS ECO HANDLE SPRING	2
33	03-8377-0000	ORBIS ECO LOCK SPRING	1
34	03-8395-0000	ORBIS ECO CABLE WRAP	1
35	03-8501-0000	ORBIS ECO SWITCH HOUSING	1
36	03-8502-0000	ORBIS ECO INTERLOCK	1
37	03-8503-0000	ORBIS ECO SWITCH CAP	1
38	03-8504-0000	ORBIS ECO SWITCH CAP SPRING	1
39	04-0237-0000	CABLE CLAMP	1
40	04-3242-0000	INLET SOCKET IEC 16AMP	1
41	04-4016-0000	ECO SWITCH - JIABEN	1
Accessories			
Not shown	04-3055-0053 15M	CORDSET UK PLUG 16A - ORANGE	1
Not shown	04-3055-0153 15M	CORDSET EURO PLUG 16A - ORANGE	1
Not shown	03-8392-0000	ORBIS ECO INSTRUCTION MANUAL	1
Not shown	04-3055-0353 15M	CORDSET ORANGE AUSTRALIAN	1



Tacony CFC

ORBIS ECO 200

Part Number:

OB45200/ECO

Date: 01-May-20

Sheet no.

Drawing Number: OB45200/ECO

1 / 1

Drawing Issue: 05-4724-0000,(Base) 05-4711-0000,(N

DESCRIPTION OF CHANGE

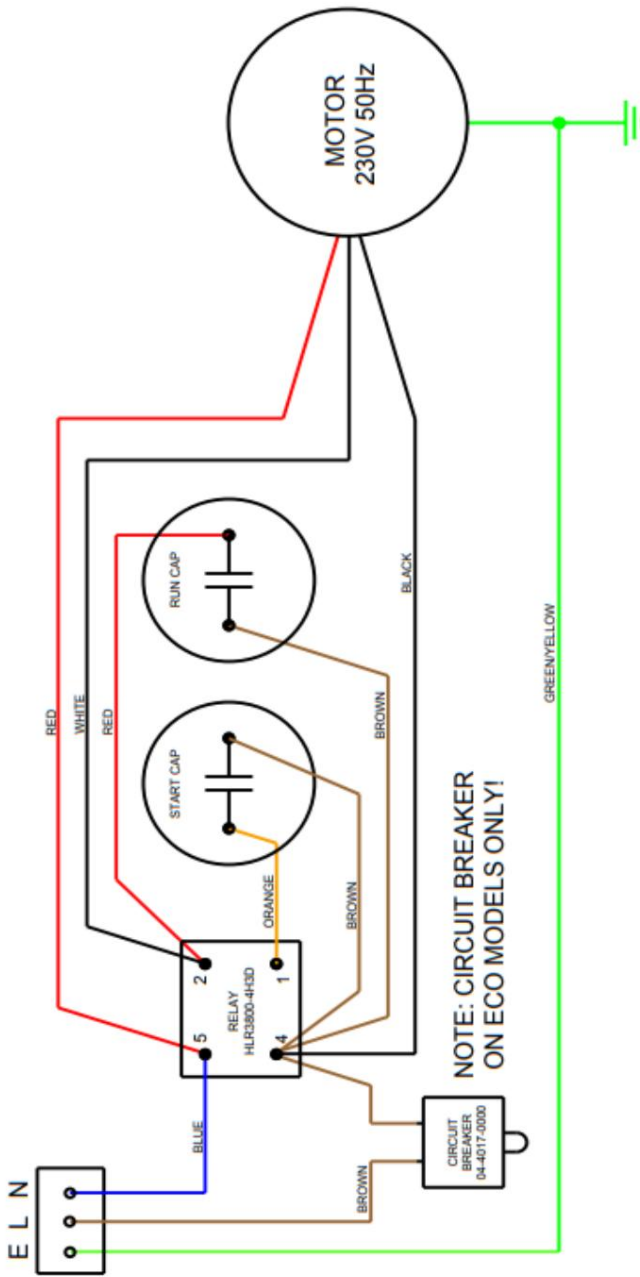
ECN:#

Modified By: N DOWSE

-

-

Wiring di



	ORBIS ECO MOTOR	STD ORBIS MOTOR	START CAP	RUN CAP	RELAY
200 SPEED	04-3968-0000	04-3223-0500	04-3956-0000 (150uF)	04-3501-0500 (30uF)	04-3974-0000
400 SPEED	04-3969-0000	04-3224-0500	04-3231-0000 (100uF)	04-3501-0500 (30uF)	04-3974-0000

Taony CFC

ORBIS ECO 200

Part Number:

OB45200/ECO

Date: 01-May-20

Sheet no.

Drawing Number: OB45200/ECO

1 / 1

Drawing Issue: 05-4724-0000 (Base) 05-4711-0000 (Motor)

DESCRIPTION OF CHANGE ECN #

Modified By: N DOWSE

00,(Wiring